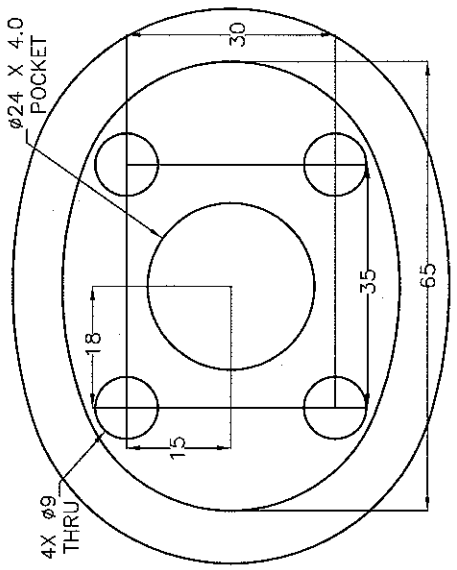
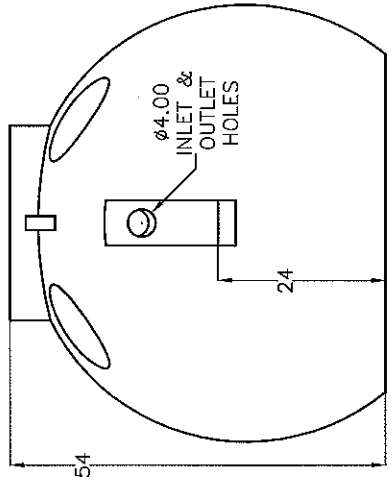
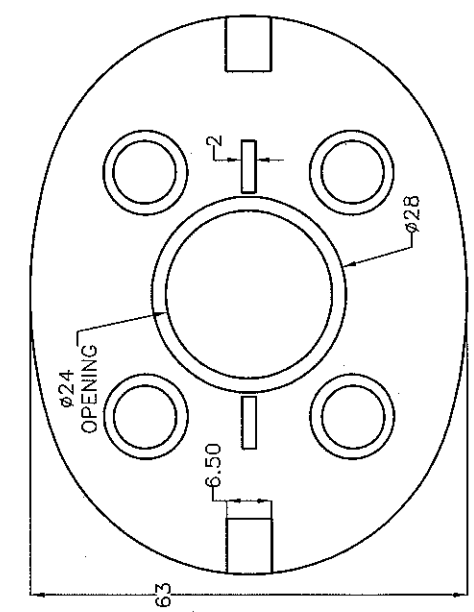
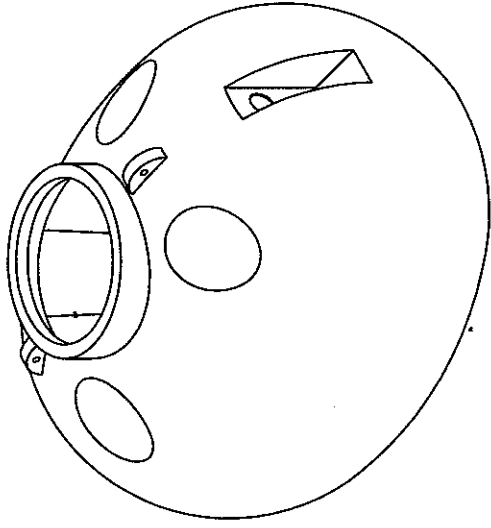


REVISIONS			
ZONE	REV	DESCRIPTION	DATE



VIEW A-A

		ST. BONIFACIUS, MN 500 GALLON PUMP TANK	
JTP	31JAN06	SIZE B	FSCM NO.
		DWG NO.	
		REV	
		SCALE	1/20
		SHEET	