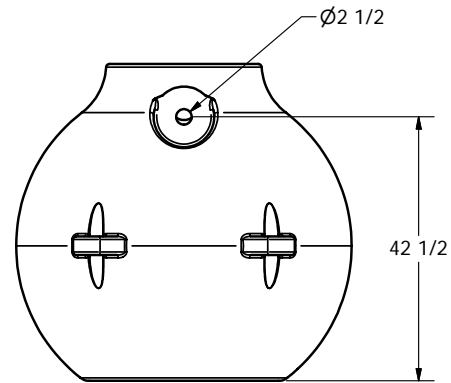
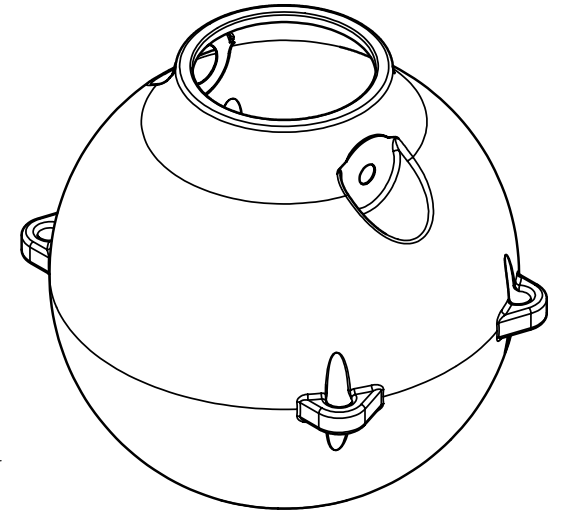



Inlet End View



Outlet End View



DRAWN Todd Bolzer	10/1/2007	 <b>NORWESCO, INC.</b> ST. BONIFACIUS, MN		
CHECKED				
QA		TITLE		
MFG		RRM 300 Sphere		
APPROVED				
		SIZE	DWG NO	REV
		B	42303	
		SCALE		