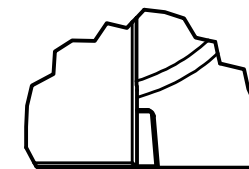
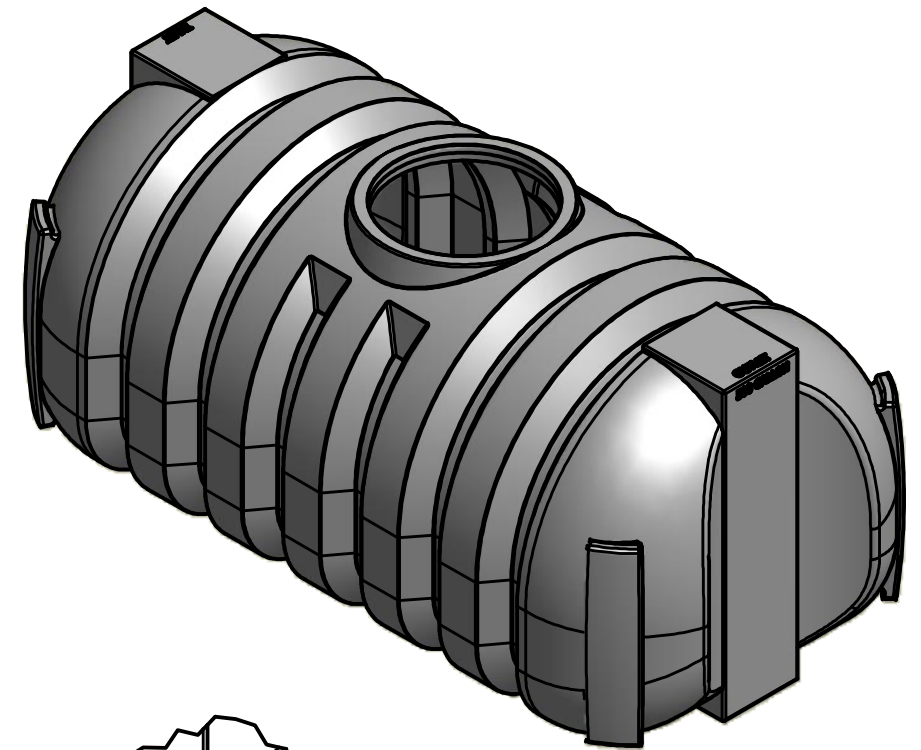
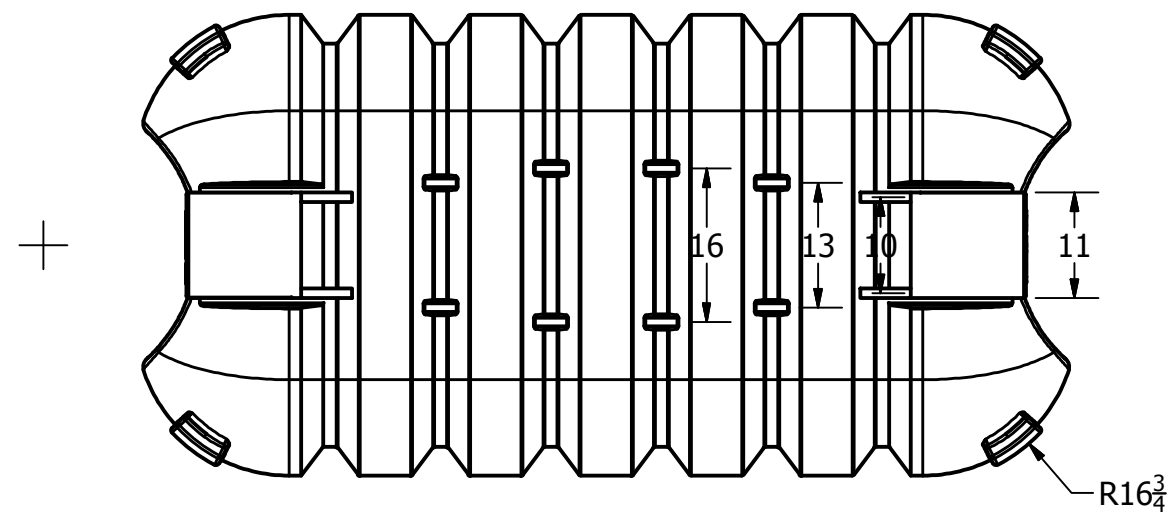
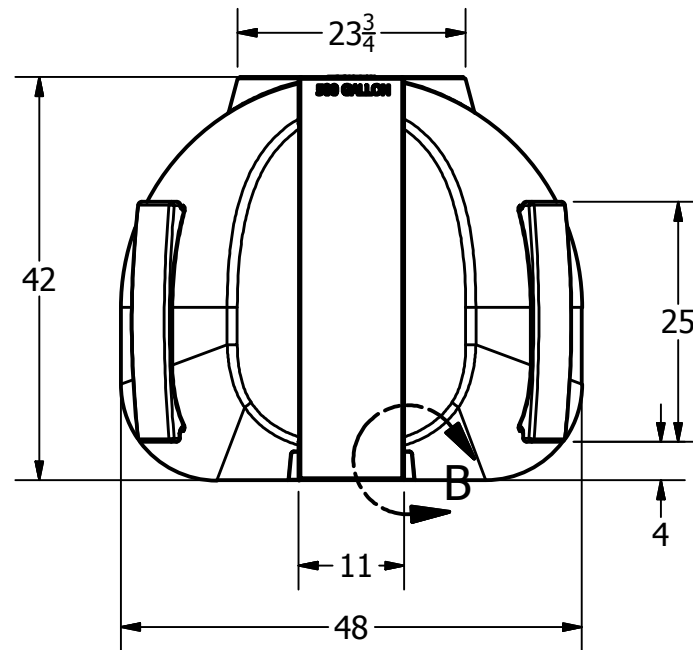
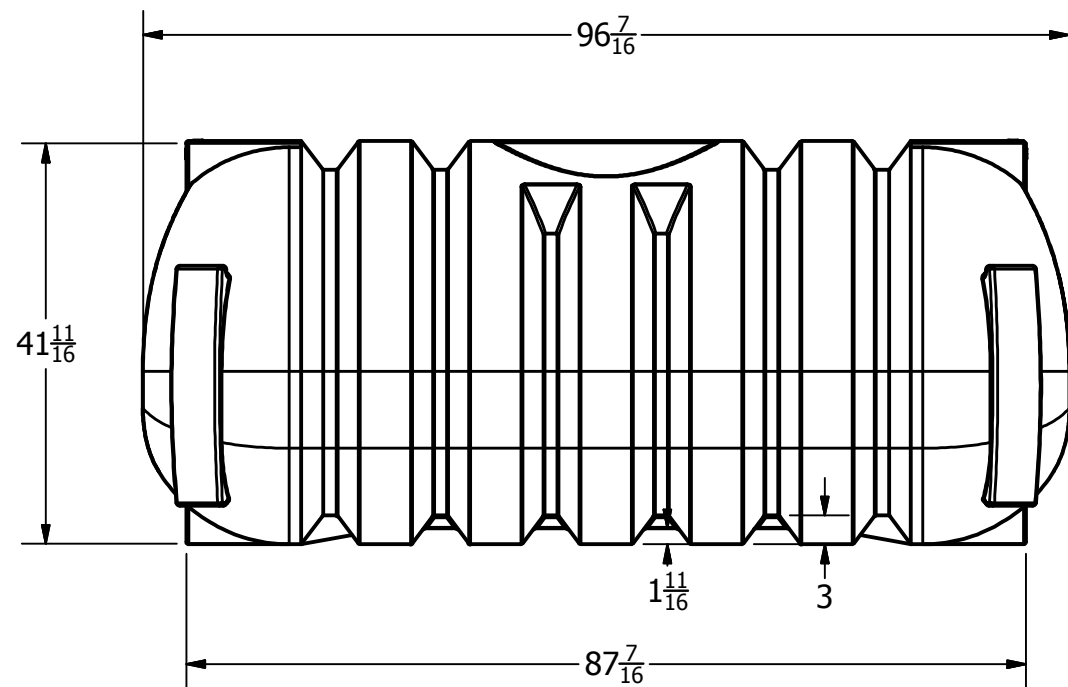



DETAIL A  
SCALE 1 / 10



DETAIL B  
SCALE 1 / 10



DRAWN Todd Bolzer	6/2/2009			
CHECKED		NORWESCO, INC., ST. BONIFACIUS, MN		
QA		TITLE		
MFG		500 GALLON LOW PROFILE SEPTIC TK		
APPROVED		SIZE B	DWG NO 500 Low Profile	REV C
		SCALE: 1/16	SHEET 1 OF 1	