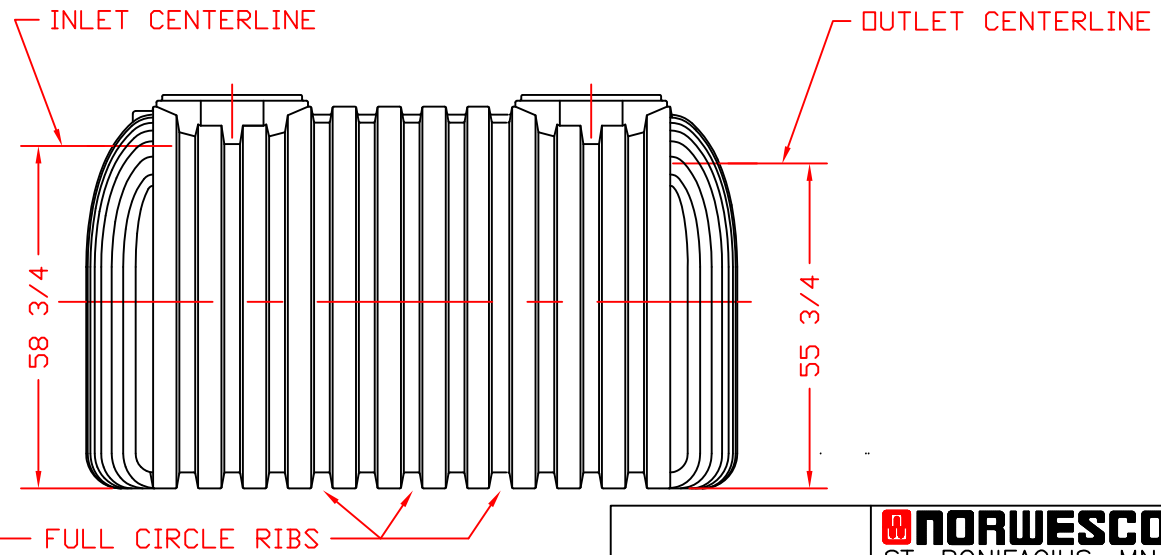
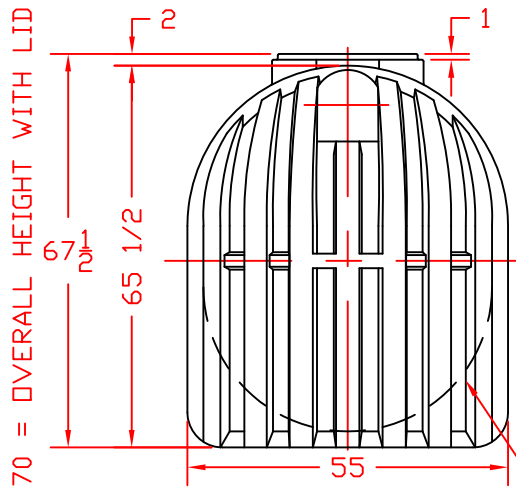
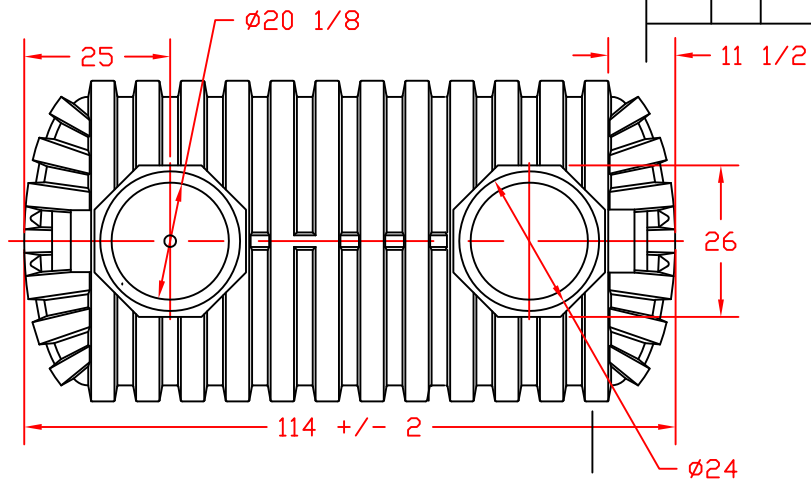


RIB DIMENSIONS
1/8 SCALE



REVISIONS				
ZONE	REV	DESCRIPTION	DATE	APPROVED

NORWESCO
ST. BONIFACIUS, MN
1250 GALLON SEPTIC TANK

JTP	30JUN00	SIZE B	FSCM NO.	DWG NO.	REV
SCALE 1/24			SHEET		