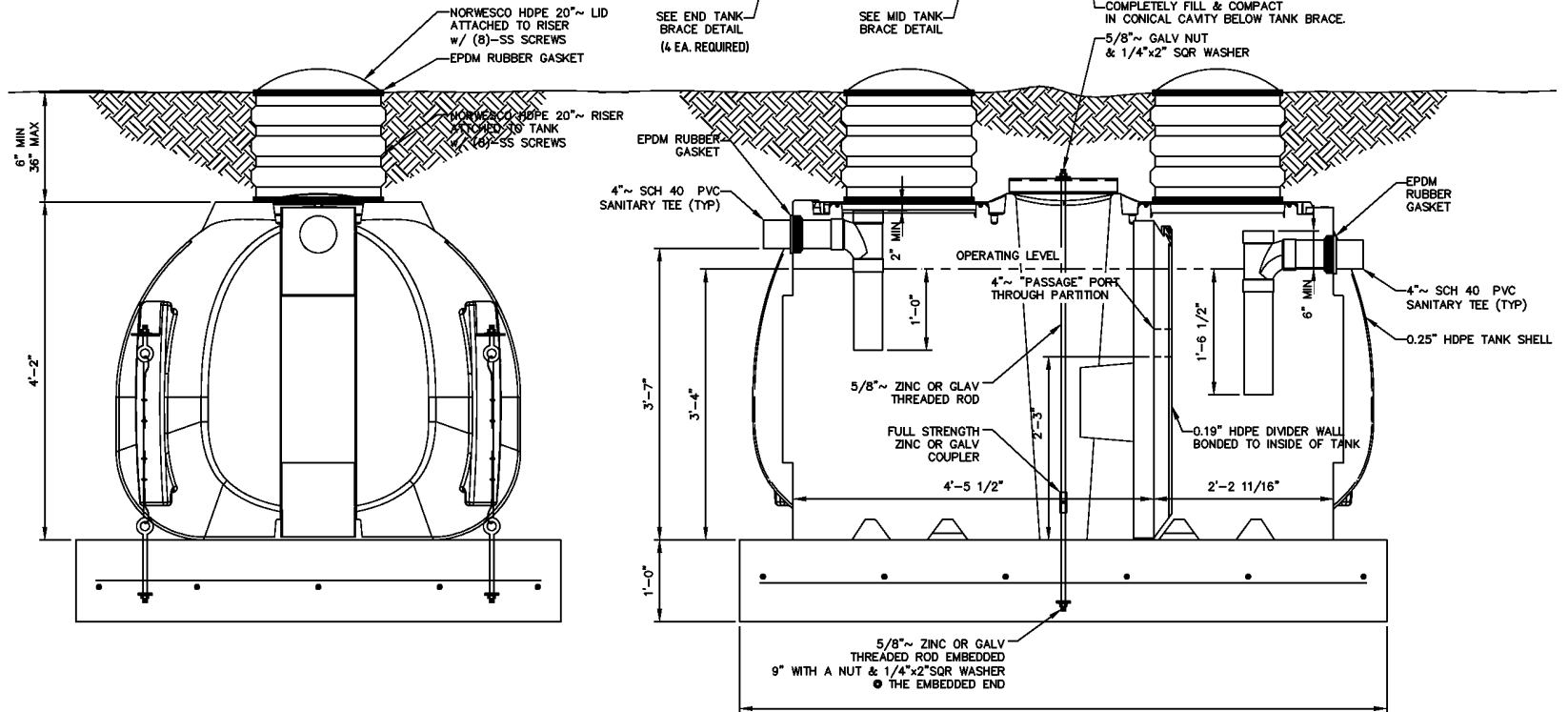
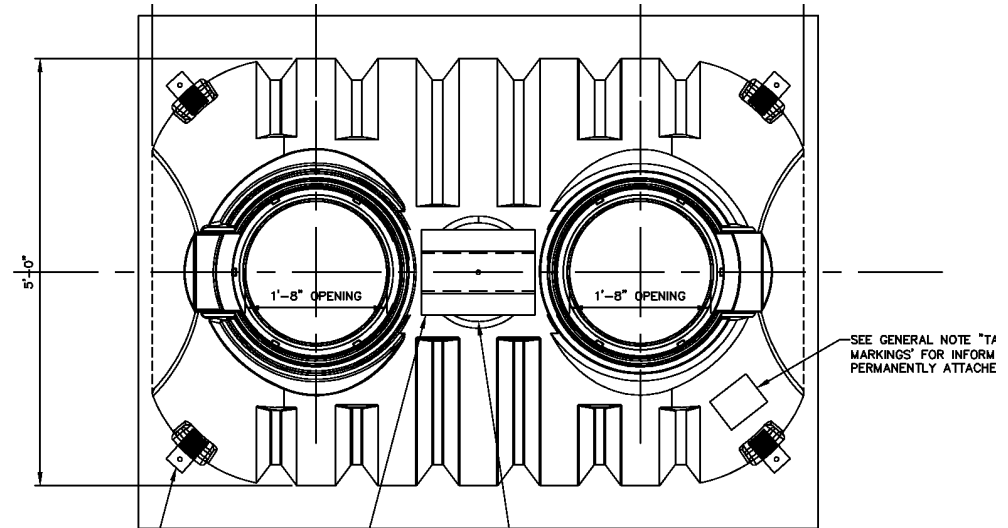




# Low Profile Underground Tank Counter Buoyancy Instructions

1. These instructions are a supplement to the general installation instructions included with the tank.
2. Check with your local sanitarian to ensure code compliance in your area.
3. Specific details of individual components are on page 2 of this document.
4. This document applies to the 750, 1000, 1250, and 1500 gallon Norwesco Low Profile septic and cistern tanks.
5. Note: 1250 and 1500 gallon tanks require two ea. mid tank braces at the top of each column.



SEE TABLE ON PAGE 2 FOR SLAB DIMENSIONS

**MATERIAL**

**MOLDED TANK & COMPONENTS:**

HIGH DENSITY POLYETHYLENE (HDPE)

**STEEL COMPONENTS OF THE COUNTER BUOYANCY SYSTEM:**

THREADED RODS & BOLTS: ASTM A307

STEEL PLATE: ASTM A36

STEEL ANCHOR CHANNEL: ASTM A36

WIRE ROPE: ASTM 1007-07

**CONCRETE:**

MIN 28 DAY COMPRESSIVE STRENGTH OF 2500PSI (F/c

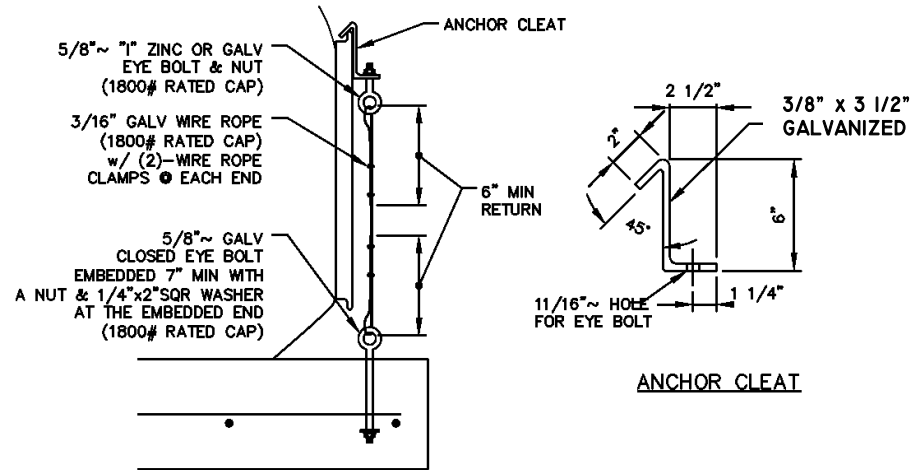
2500PSI)

**LOADS**

TANK LID: 300psf or 2500 WHEEL  
 TANK WALL & BOTTOM: 62.4 PCF HYDROSTATIC  
 SOIL COVER: 6" MIN  
 SOIL LOAD: 120 PCF

**CONCRETE ANCHOR SLAB DIMENSIONS:**

750 GALLON TANK: 8' x 6' x 1'  
 1000 GALLON TANK: 11' x 6' x 1'  
 1250 GALLON TANK: 14' x 6' x 1'  
 1500 GALLON TANK: 14' x 7' x 1'



**MID TANK BRACE WELDMENT (GALVANIZE AFTER WELDING)**

SCALE: NONE

- 1 EA. 1'- 4" FOR 750 GALLON TANKS
- 1 EA. 2'- 0" FOR 1000 GALLON TANKS
- 2 EA. 2'- 0" FOR 1250 AND 1500 GALLON TANKS

