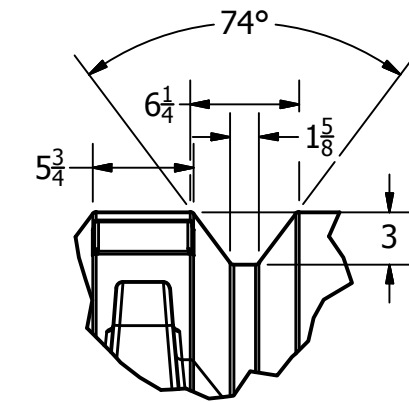
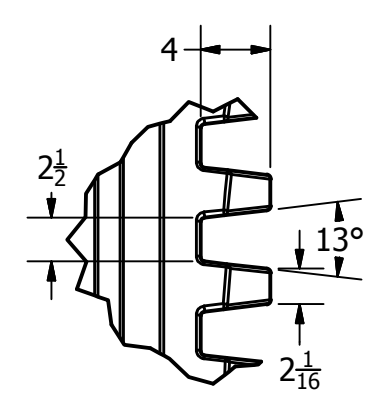



DETAIL A  
SCALE 1 / 11



DETAIL B  
SCALE 1 / 11



DETAIL C  
SCALE 1 / 11

|                      |            |   |                 |          |
|----------------------|------------|---|-----------------|----------|
| DRAWN<br>Todd Bolzer | 11/15/2011 | <br>NORWESCO, INC., ST. BONIFACIUS, MN |                 |          |
| CHECKED              |            |   |                 |          |
| QA                   |            | TITLE   |                 |          |
| MFG                  |            | 2500 GALLON HOLDING TANK  |                 |          |
| APPROVED             |            | SIZE<br>B   | DWG NO<br>44079 | REV<br>A |
|                      |            | SCALE: 1/16   | SHEET 1 OF 1    |          |