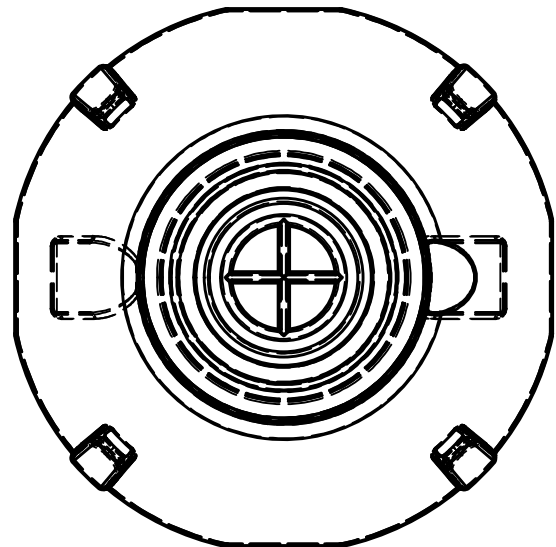
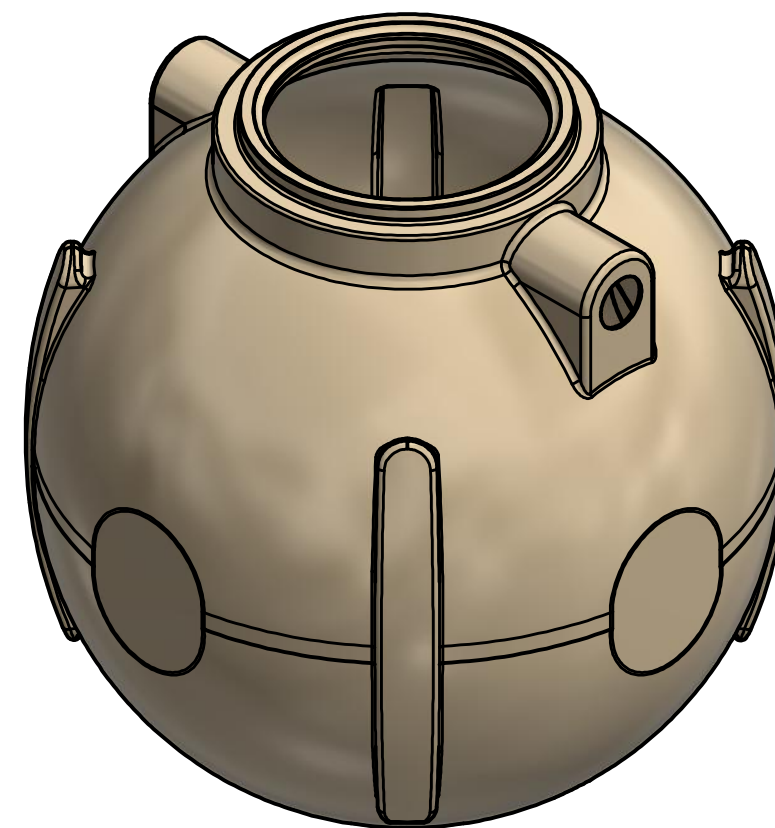
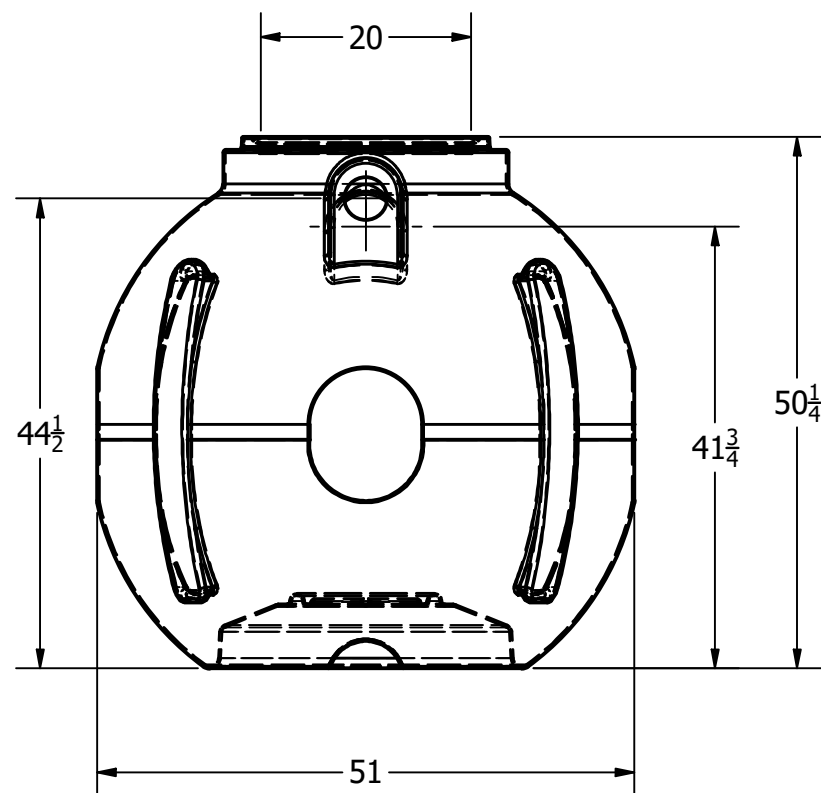
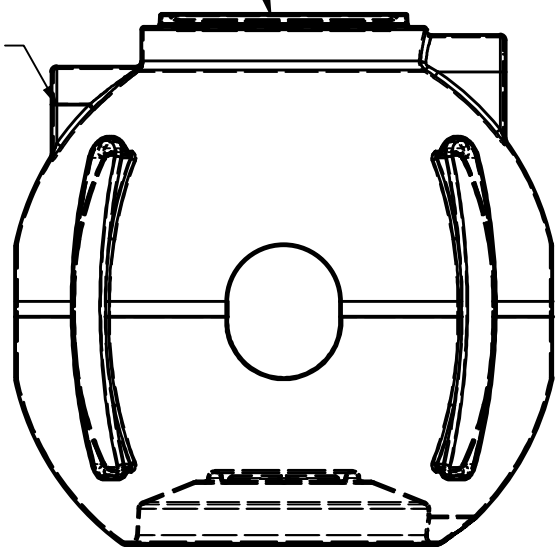



20" Lid
(HAZARDOUS GAS WARNING)

ASTM 923
GASKET



DRAWN	HTB	10/18/2018		
CHECKED			NORWESCO, INC. SAINT BONIFACIUS, MN TITLE	
QA			300 LP CISTERN SPHERE	
MFG			SIZE	DWG NO
APPROVED			B	44828
			SCALE: 1/16	REV
				SHEET 1 OF 1