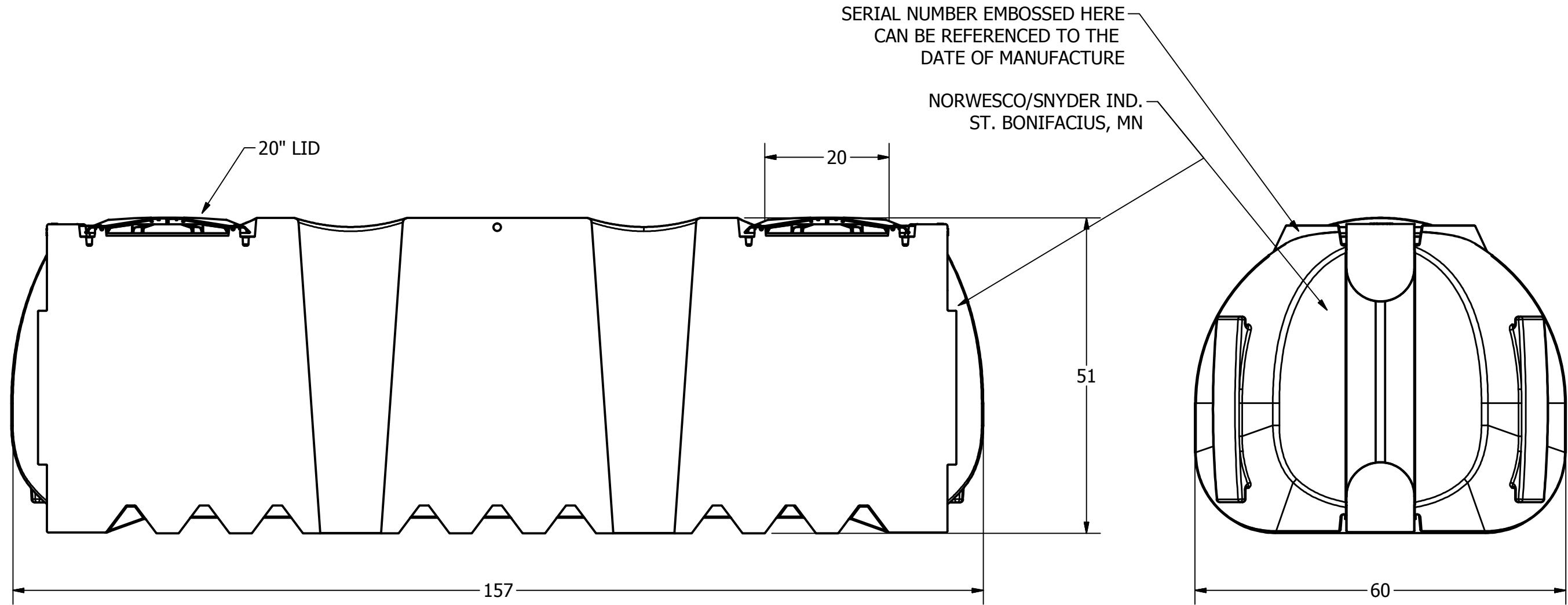



MATERIAL: HIGH-DENSITY POLYETHYLENE  
 NSF 61 LISTED  
 1425 US GALLONS WORKING CAPACITY

ZONE		REV	REVISION HISTORY	DATE	APPROVED
			DESCRIPTION		



ALL DIMENSIONS ARE IN INCHES, NOMINAL, AND SUBJECT TO CHANGE WITHOUT NOTICE.  
 ALL DIMENSIONS ON ROTATIONALLY MOLDED PARTS ARE SUBJECT TO A ±3% TOLERANCE

DRAWN Todd Bolzer	7/6/2015	 <b>NORWESCO</b> NORWESCO, INC., ST. BONIFACIUS, MN		
CHECKED				
QA		TITLE		
MFG		1425 LOW PROFILE CISTERN		
APPROVED				
		SIZE	DWG NO	REV
		B	44406	
		SCALE: 1/16	SHEET 1 OF 1	