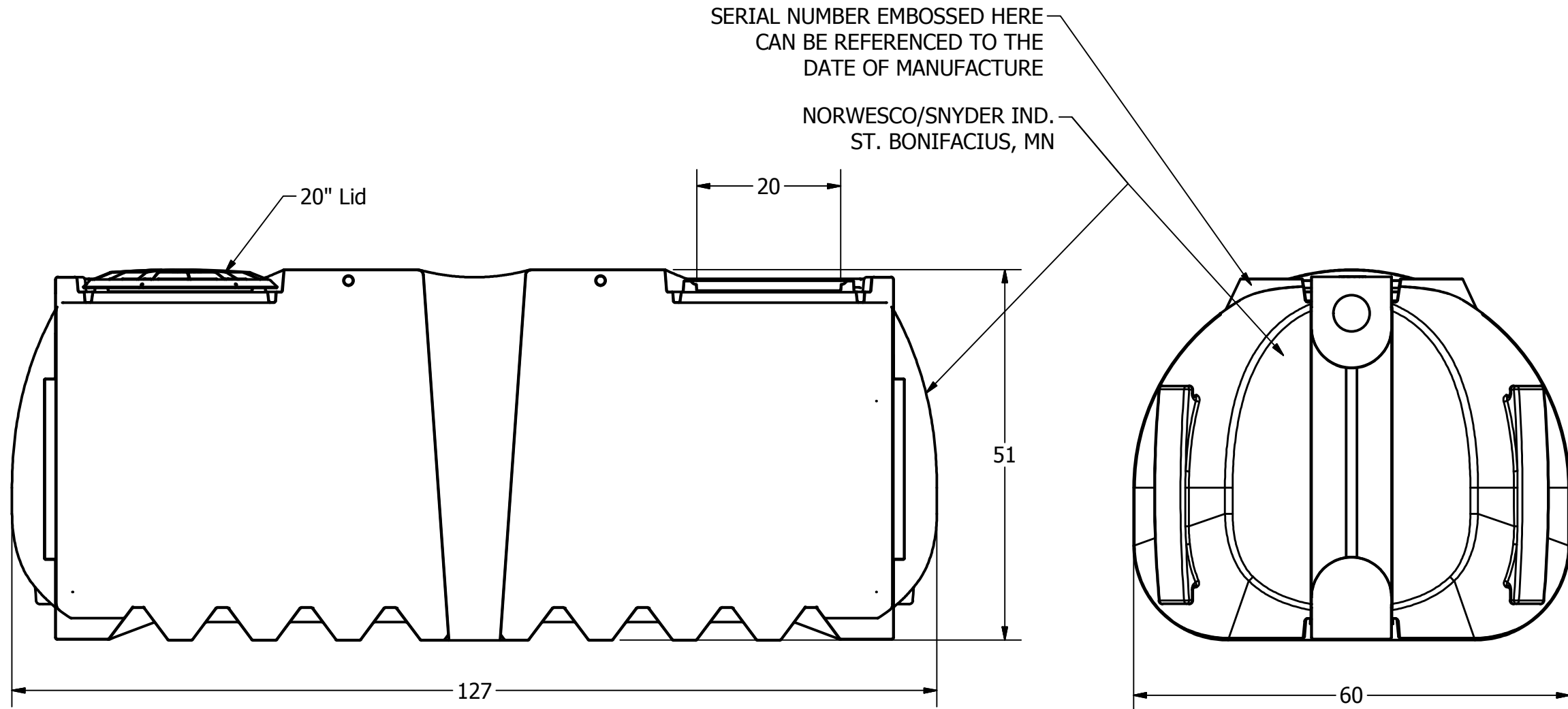



MATERIAL: HIGH-DENSITY POLYETHYLENE
 NSF 61 LISTED
 1175 US GALLONS WORKING CAPACITY

ZONE		REV	DESCRIPTION	DATE	APPROVED



ALL DIMENSIONS ARE IN INCHES, NOMINAL, AND SUBJECT TO CHANGE WITHOUT NOTICE.
 ALL DIMENSIONS ON ROTATIONALLY MOLDED PARTS ARE SUBJECT TO A ±3% TOLERANCE

DRAWN Todd Bolzer	7/6/2015	 NORWESCO NORWESCO, INC., ST. BONIFACIUS, MN TITLE		
CHECKED				
QA		1175 LOW PROFILE CISTERN		
MFG				
APPROVED		SIZE B	DWG NO 44405	REV
		SCALE: 1/16	SHEET 1 OF 1	