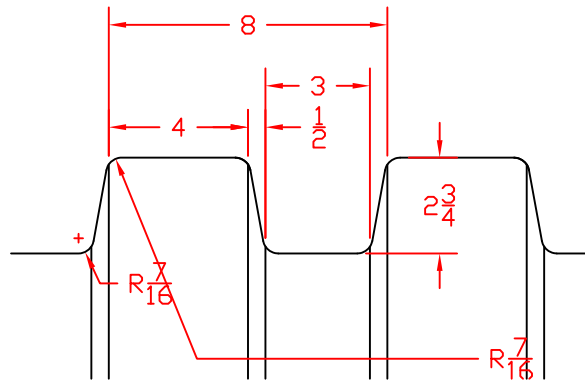
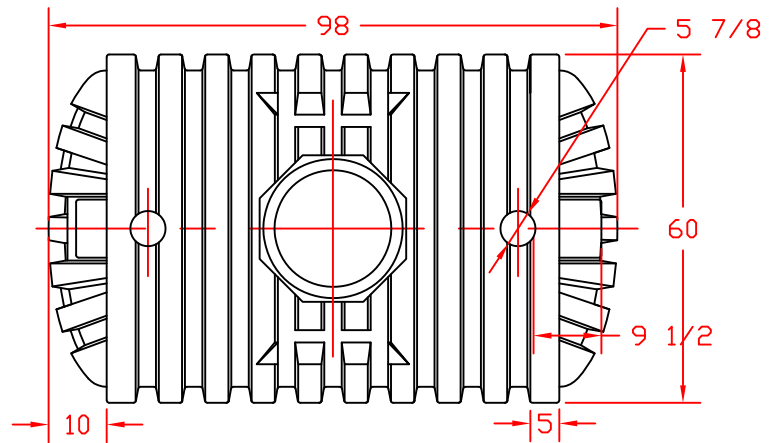


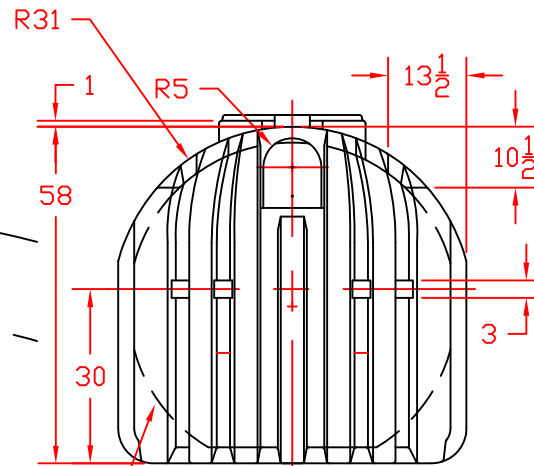
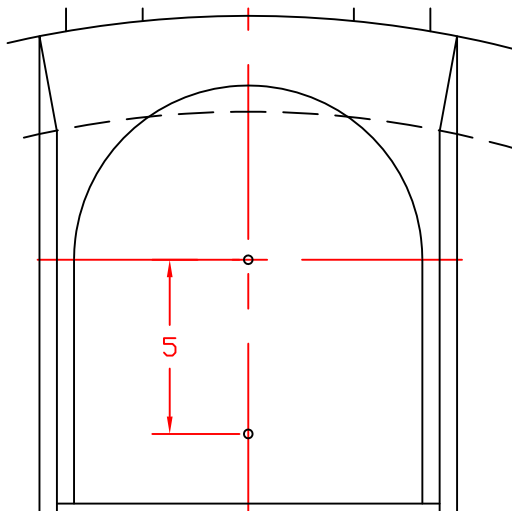
REVISIONS				
ZONE	REV	DESCRIPTION	DATE	APPROVED



RIB DETAIL 1/4 SCALE

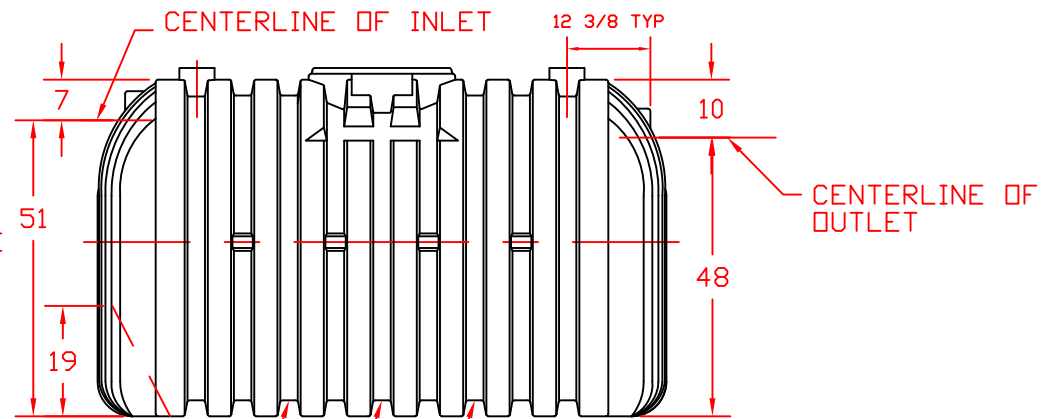


TWO DRILLING CENTERS ON EACH END AS SHOWN BELOW



THREE FULL-CIRCLE RIBS

KNEE RIBS HERE



NORWESCO

ST. BONIFACIUS, MN

1000 GALLON BRUISER
TANK, SINGLE MANHOLE

JTP 11JUL03

SIZE
B

FSCM NO.

DWG NO.

REV

SCALE 1/24

SHEET 1 OF 2