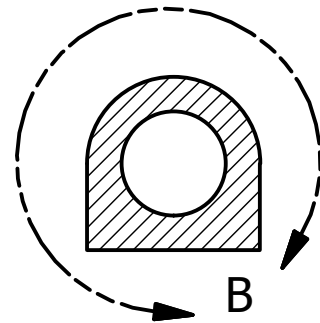
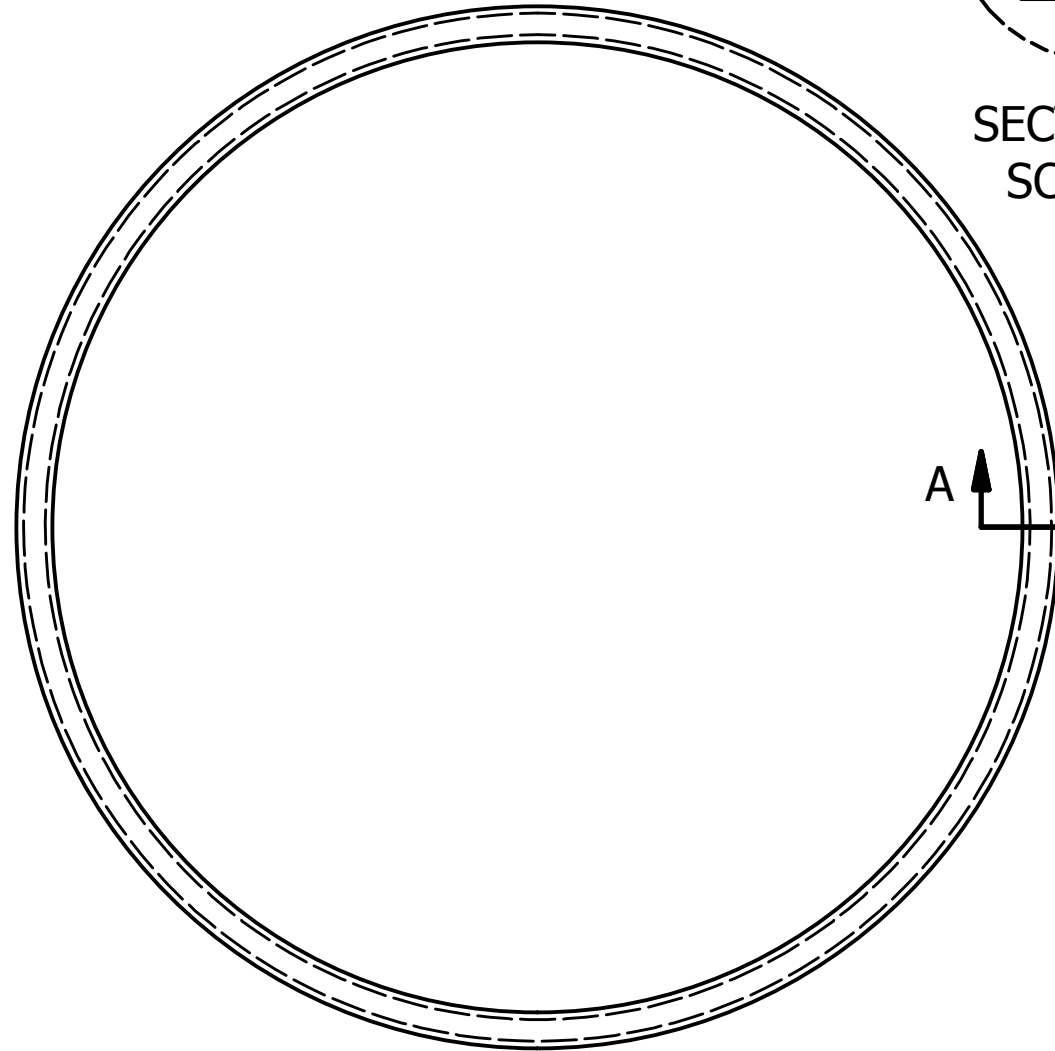
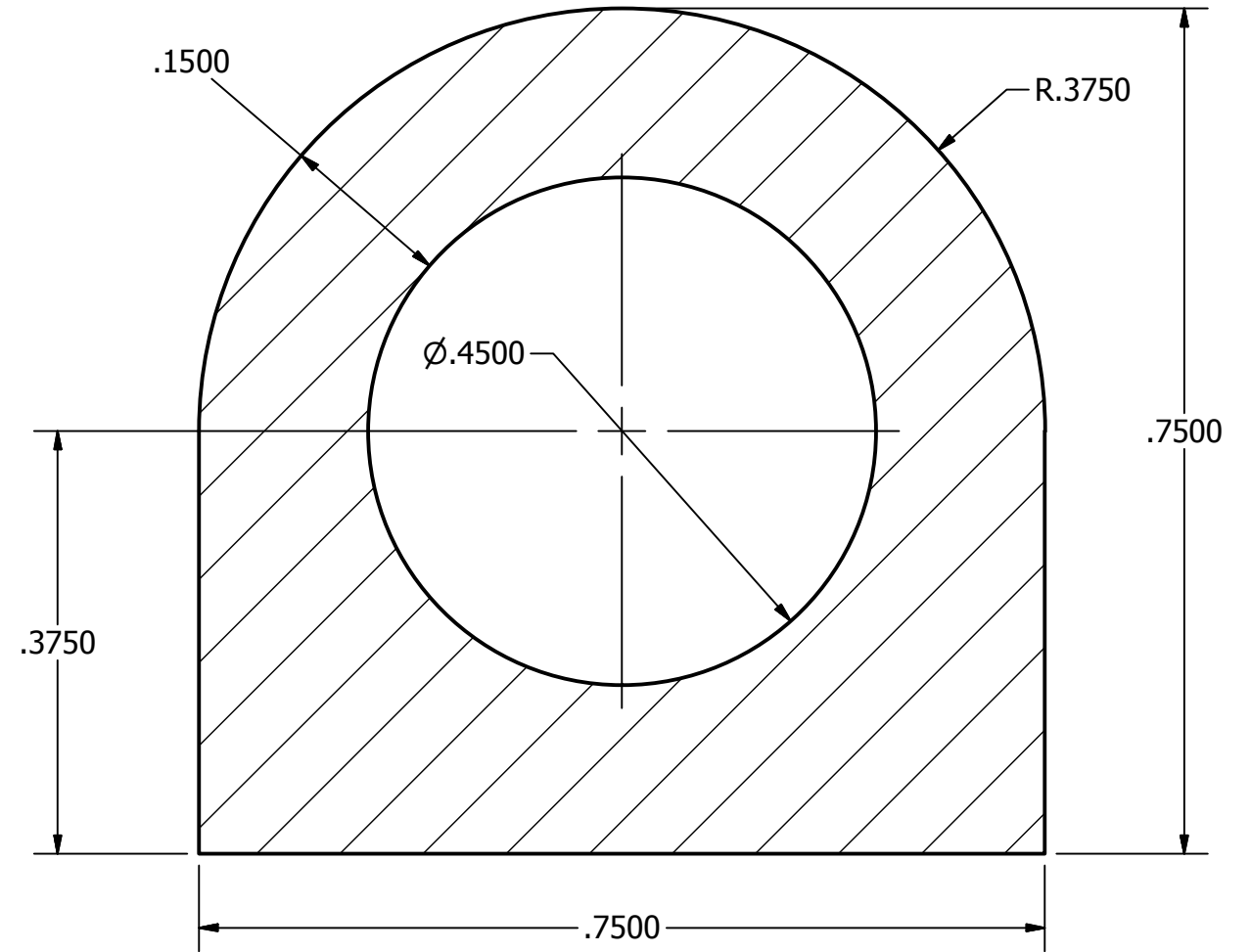


ZONE		REV	REVISION HISTORY	DESCRIPTION	DATE	APPROVED



SECTION A-A  
SCALE 1.2



DETAIL B  
SCALE 6

CIRCUMFERENCE: 63"  
2A2 HOLLOW SPONGE  
.375" STD ADHESIVE

DRAWN Todd Bolzer	11/18/2010	<b>NORWESCO</b>			
CHECKED		NORWESCO, INC., ST. BONIFACIUS, MN			
QA		TITLE			
MFG		SELF ADHESIVE RUBBER GASKET FOR 20 INCH LP LID			
APPROVED		SIZE	DWG NO	REV	
		B	63839		
		SCALE: 1/16		SHEET 1 OF 1	