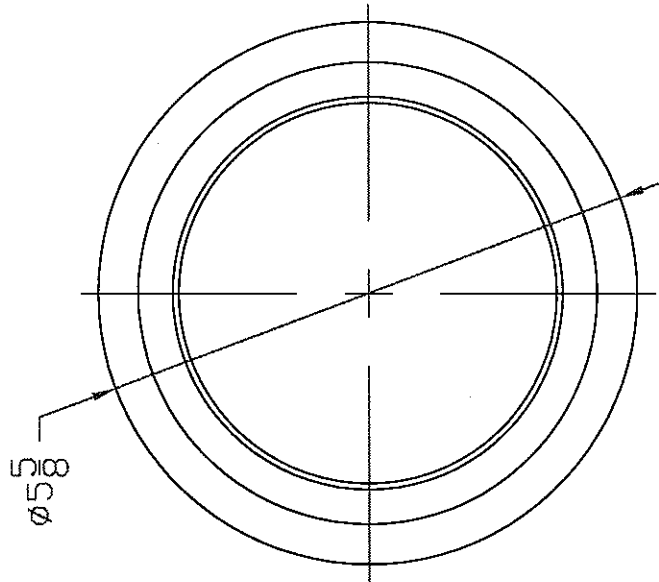
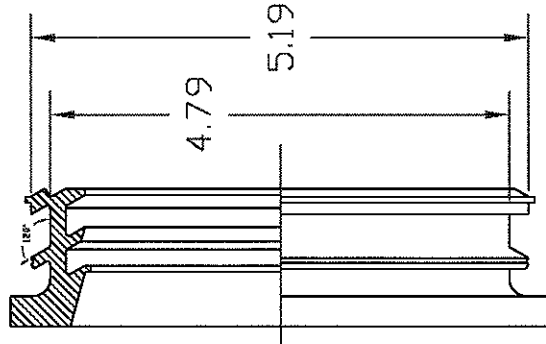
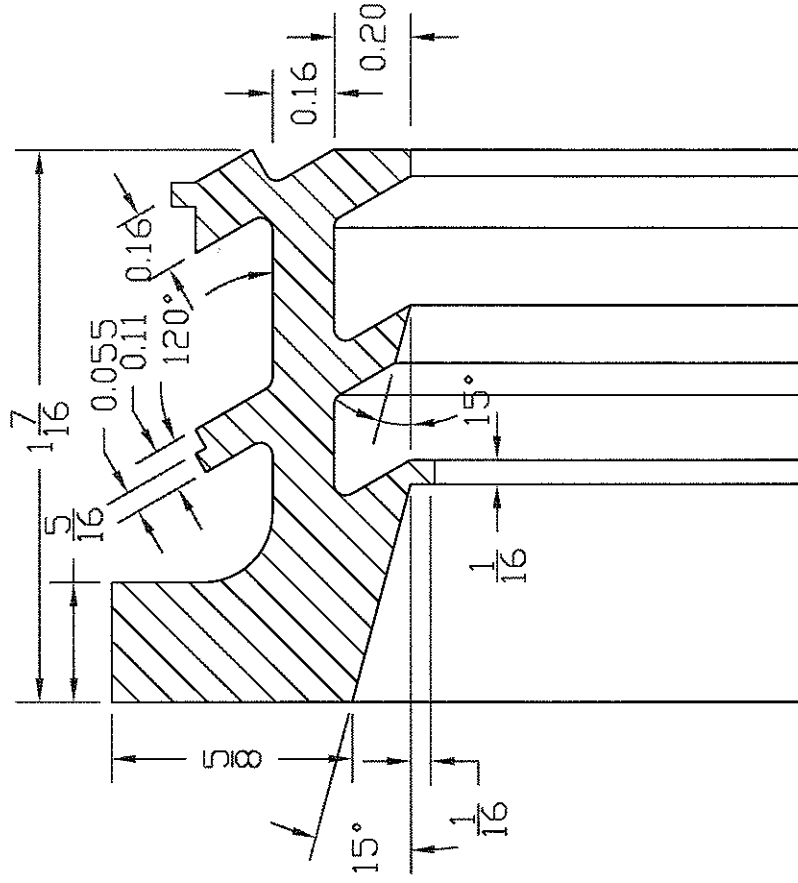


REVISIONS

ZONE	REV	DESCRIPTION	DATE	APPROVED



COMPONENT OF 61762 & 61763 TEE
& GASKET KITS

NORWESCO
ST. BONIFACIUS, MN
SEPTIC GASKET

JTP 27JAN03

SIZE A

FSCM NO.

DWG NO.

60352

REV

SCALE 1/2

SHEET