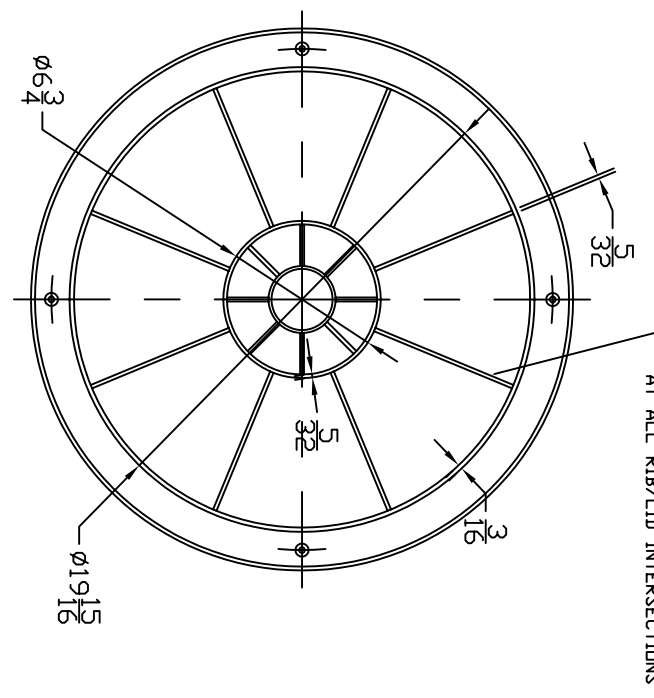
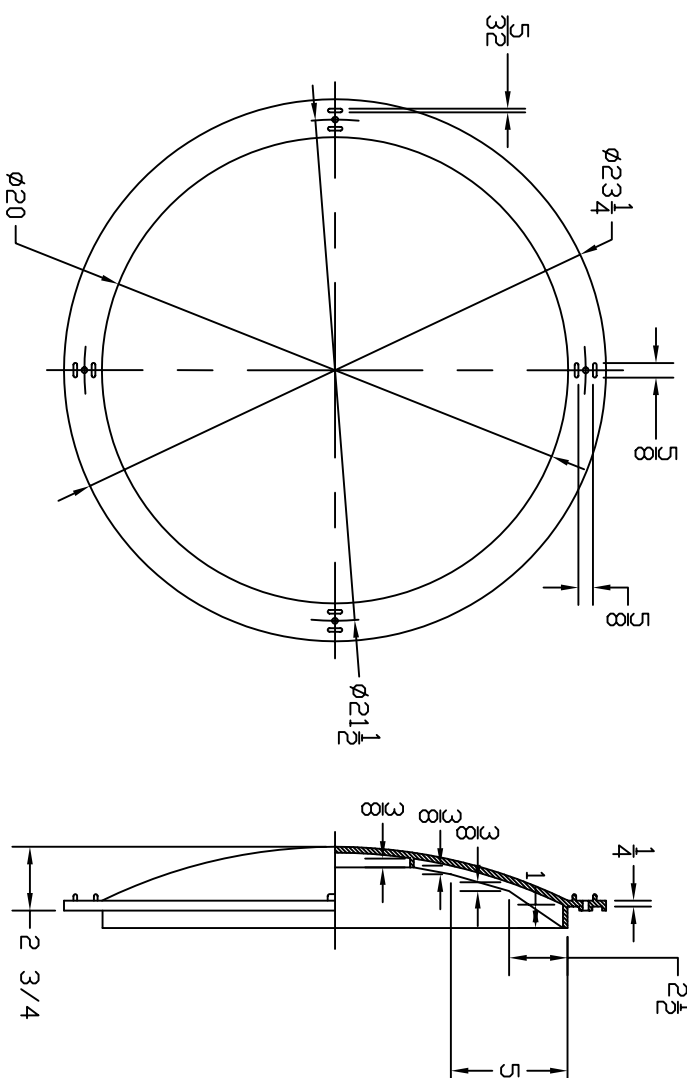
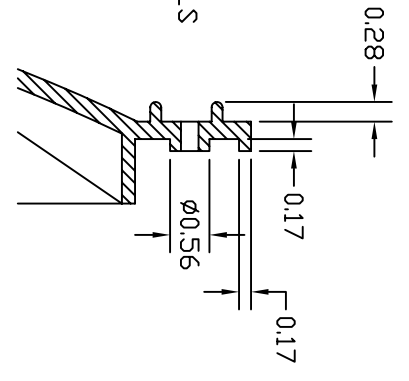


REVISIONS				
ZONE	REV	DESCRIPTION	DATE	APPROVED
	A	ADDED OD RIB, BOSSES, & RADIUS NOTE		



RIB & BOSS DETAILS
1/2 SCALE



MAT'L: HIGH DENSITY POLYETHYLENE

		ST. BONIFACIUS, MN		DOMED LID	
		JTP	17APR01	SIZE / FSCM NO.	DWG NO.
B	SCALE 1/8		62408		
SHEET					