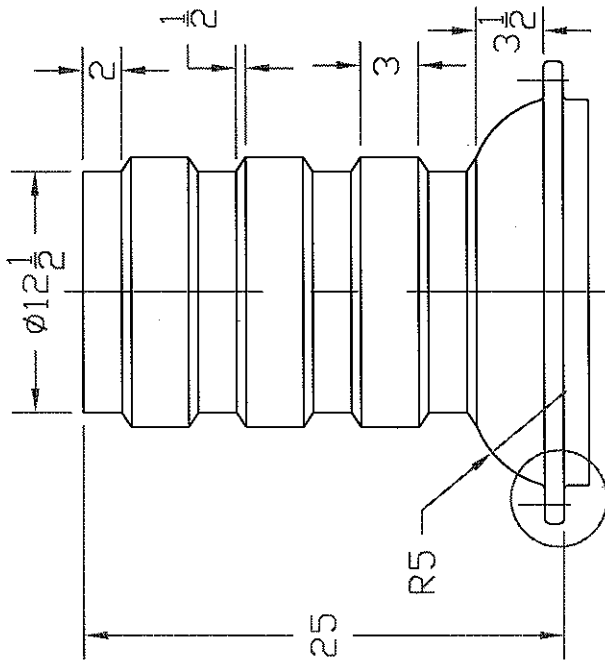
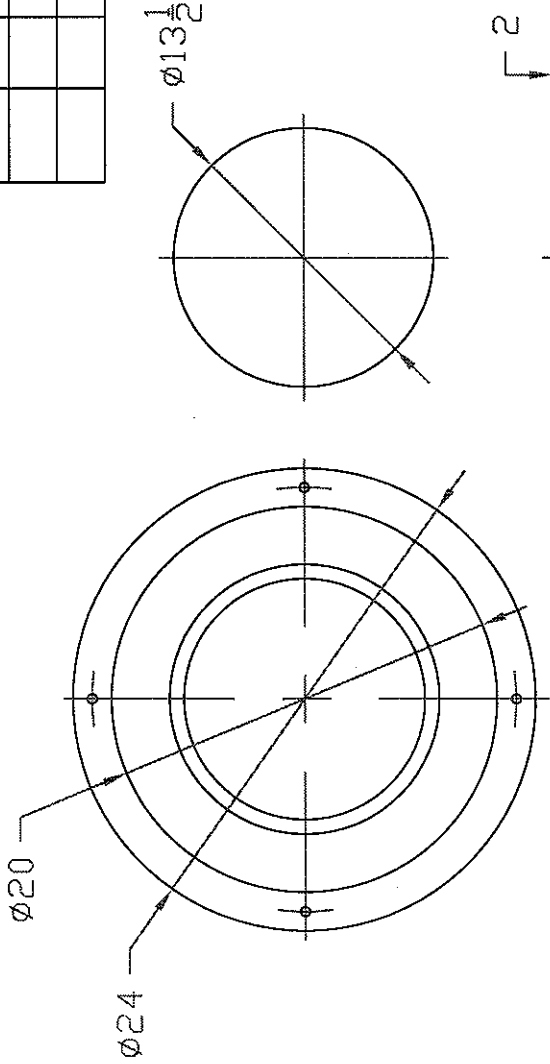
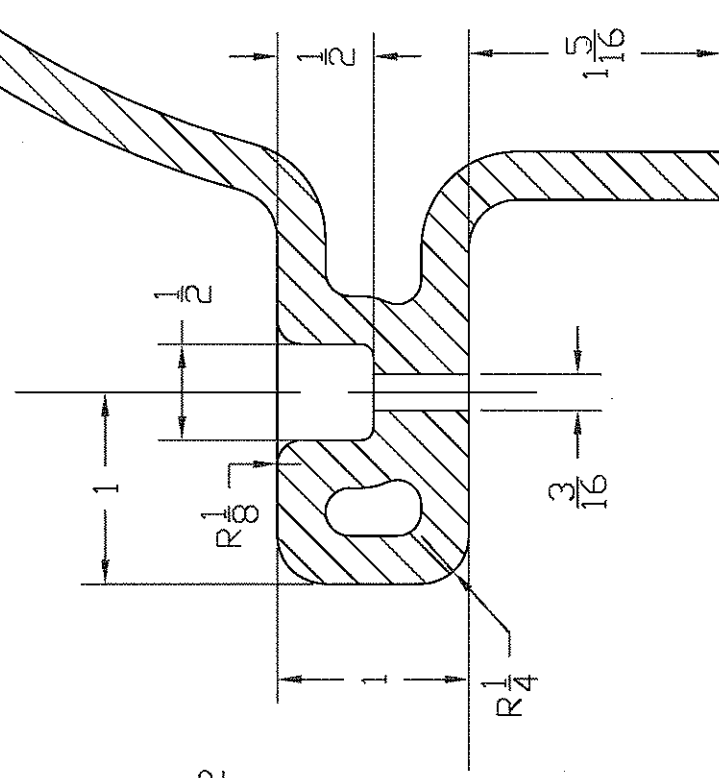


REVISIONS

ZONE	REV	DESCRIPTION	DATE	APPROVED



CROSS-SECTION
DETAIL AT
HOLE



NORWESCO
ST. BONIFACIUS, MN

LID RISER & CAP
12" DIA. x 25" HIGH

JTP	24JAN02	SIZE	FSCM NO.	DWG NO.	REV
		A		62395	
SCALE 1/10				SHEET	

SEE DETAIL