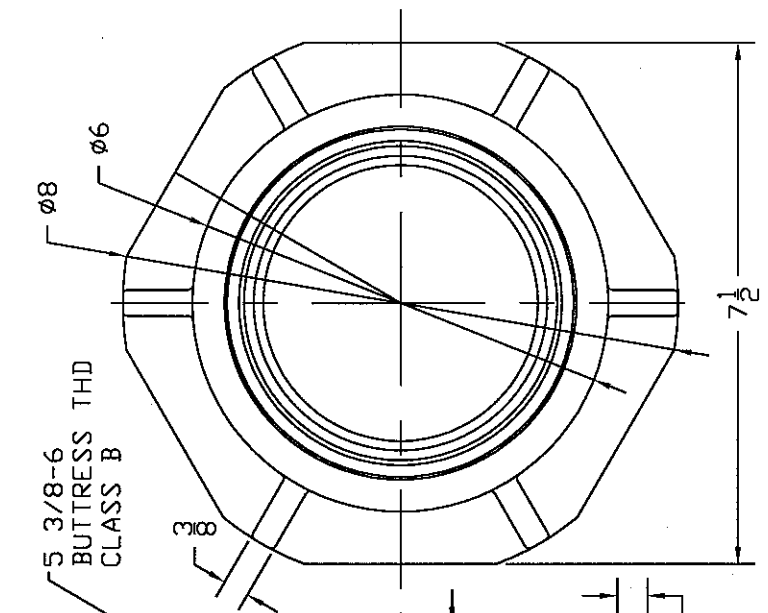
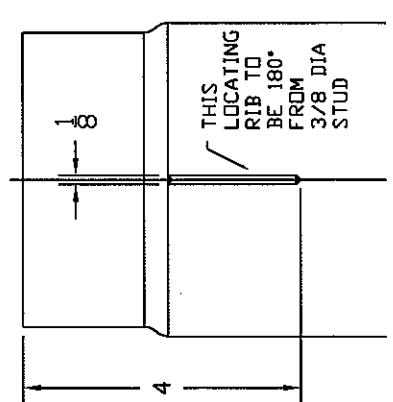
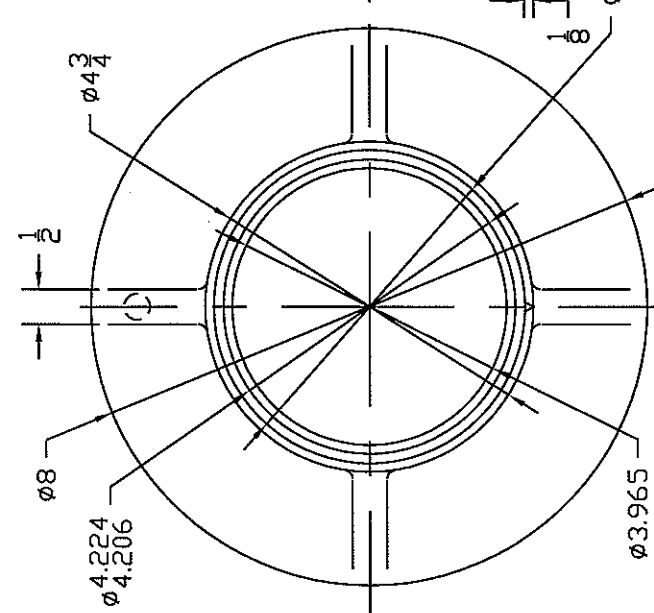
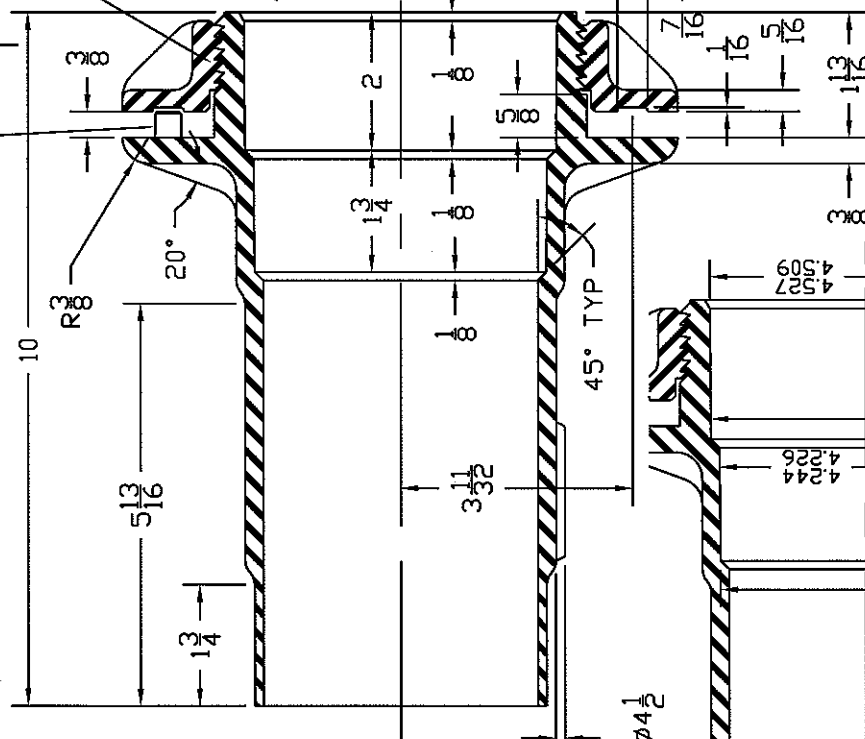


REVISIONS		DATE	APPROVED
ZONE	REV	DESCRIPTION	

(1) 3/8 DIA STUD X 3/8 L  
W/ 1/16 X 45 CHAMFER



MAT'L: WHITE TYPE 1, GRADE 1 PVC  
 ADAPTER: WHITE TALC-FILLED  
 NUT: POLYPROPYLENE  
 GASKET: EPDM (SEE DWG NO 63153)



SOCKET DIMENSIONS  
 PER ASTM D 3034  
 AND ASTM D 2466

<b>NORWESCO</b>		ST. BONIFACIUS, MN	
W/ NUT & GASKET		SEPTIC ADAPTER, SDR 35	
SIZE	FSCM NO.	DWG NO.	REV
B		63151	
JTP 12JUL02		SCALE 1/2	