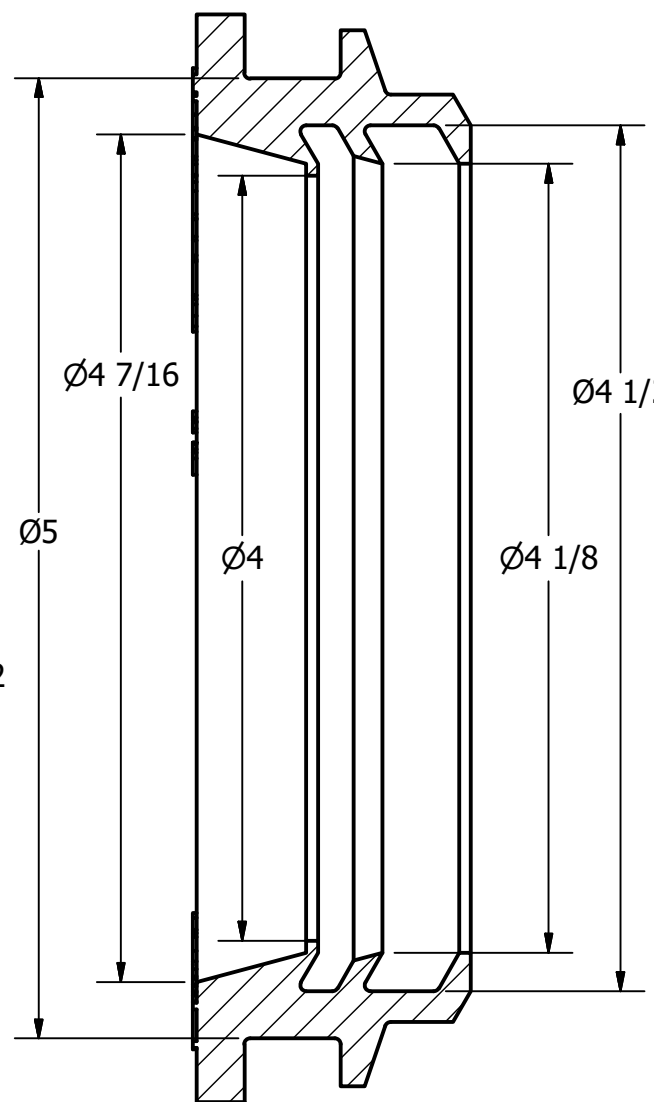
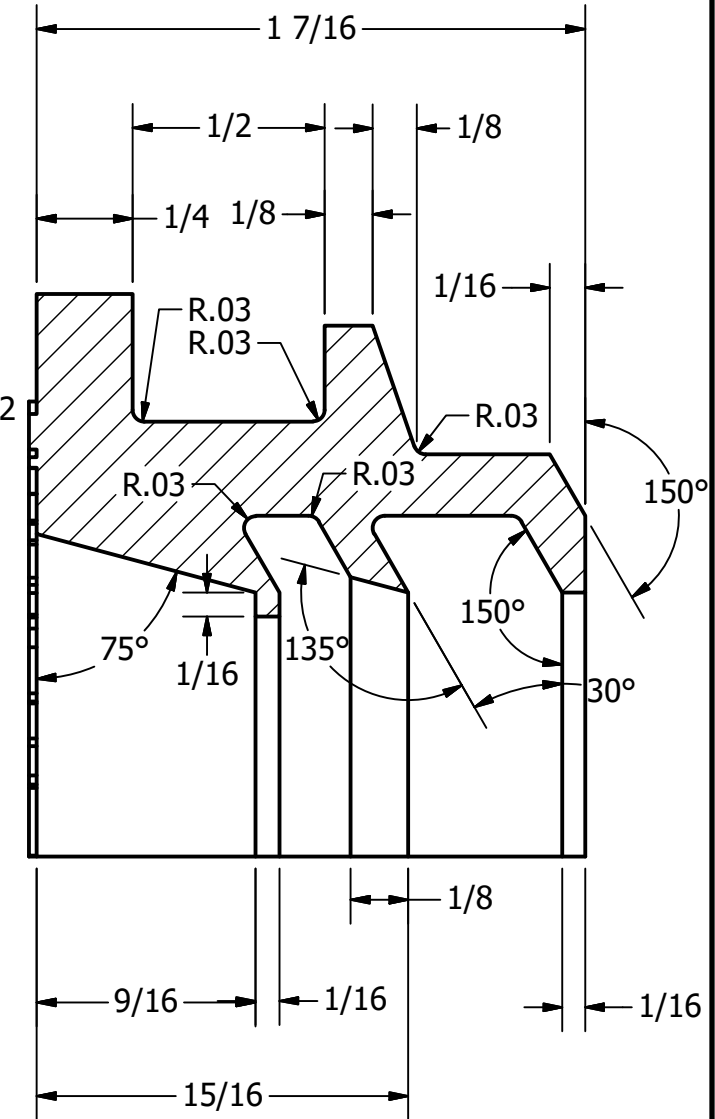


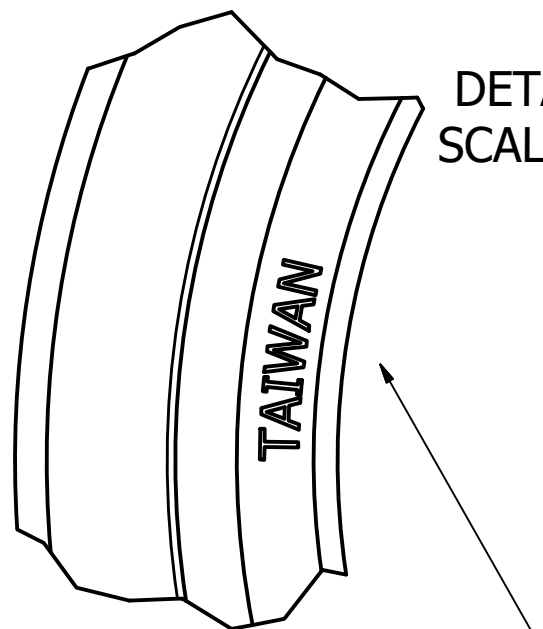
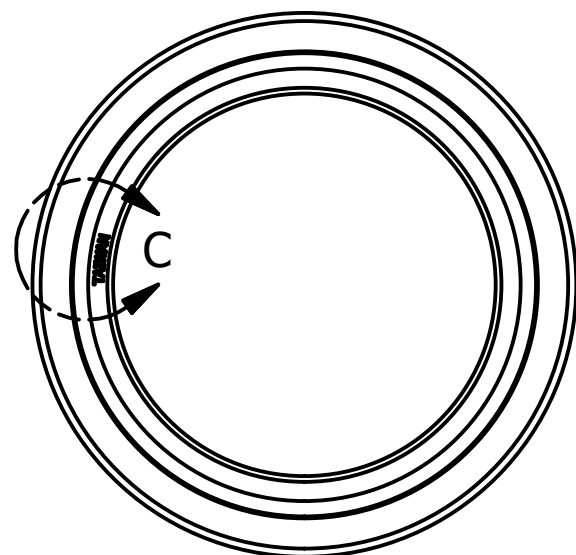
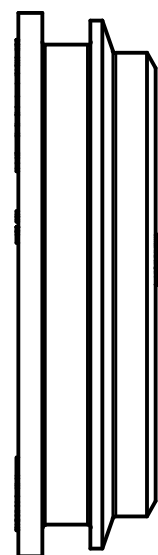
EMBOSS 0.25" LETTERS AS SHOWN
RAISED 0.025"



SECTION A-A
SCALE 1 : 1



SECTION B-B
SCALE 2 : 1



DETAIL C
SCALE 2 : 1

EMBOSS 0.125" LETTERS AS SHOWN RAISED 0.025"

REVISION HISTORY				
ZONE	REV	DESCRIPTION	DATE	APPROVED
	1	ADDED ASTM C923	9/6/2017	

DRAWN Jerry Paulson	5/19/2016	NORWESCO		
CHECKED		NORWESCO, INC. SAINT BONIFACIUS, MN		
QA		TITLE		
MFG		SEPTIC GASKET		
APPROVED		SIZE B	DWG NO 64186	REV 1
		SCALE: 1/16	SHEET 1 OF 1	