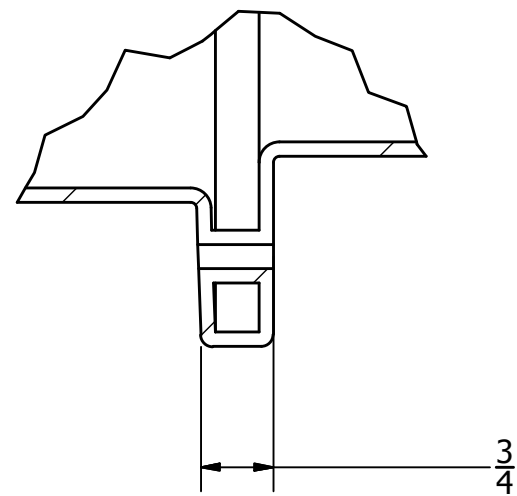
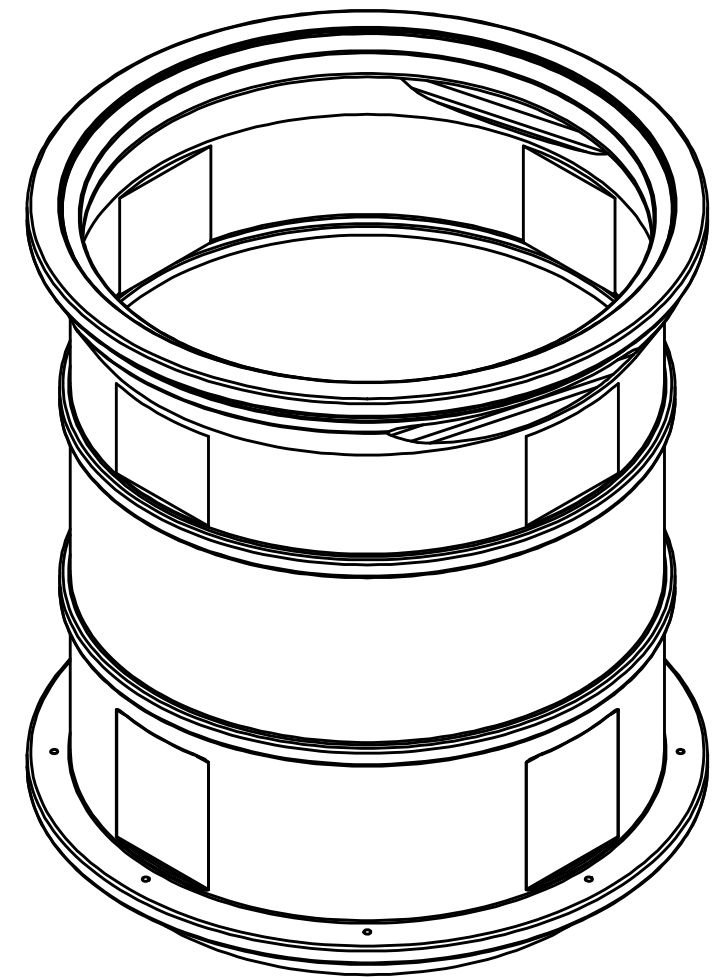


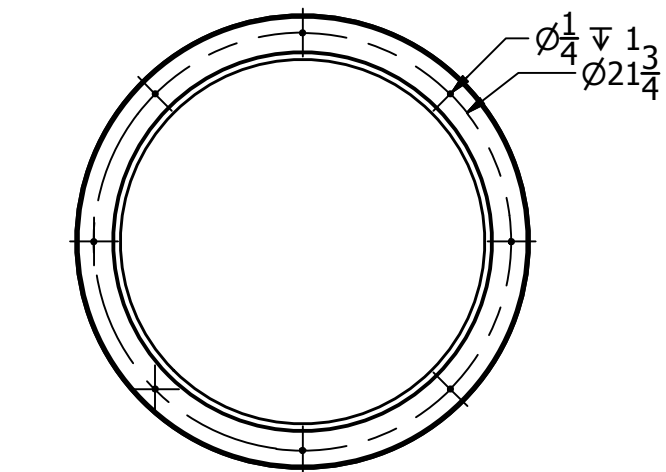
SECTION A-A
SCALE 1/8




DETAIL B
SCALE 1 / 2



REVISION HISTORY				
ZONE	REV	DESCRIPTION	DATE	APPROVED



DRAWN Todd Bolzer	7/31/2009	 NORWESCO, INC., ST. BONIFACIUS, MN TITLE		
CHECKED				
QA		24 INCH LOW PROFILE MAN HOLE EXTENSION		
MFG				
APPROVED		SIZE B	DWG NO 63834	REV
		SCALE: 1/16	SHEET 1 OF 1	