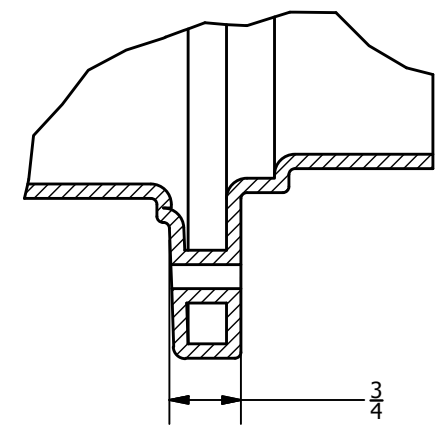
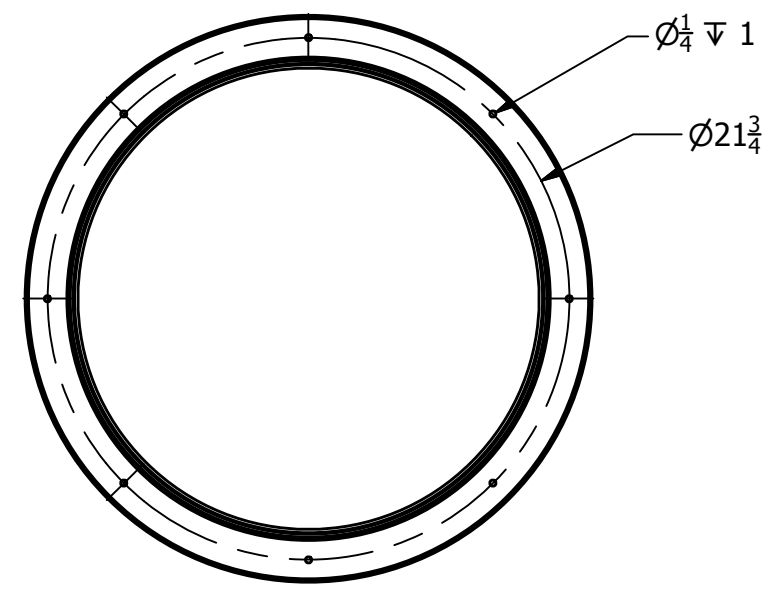
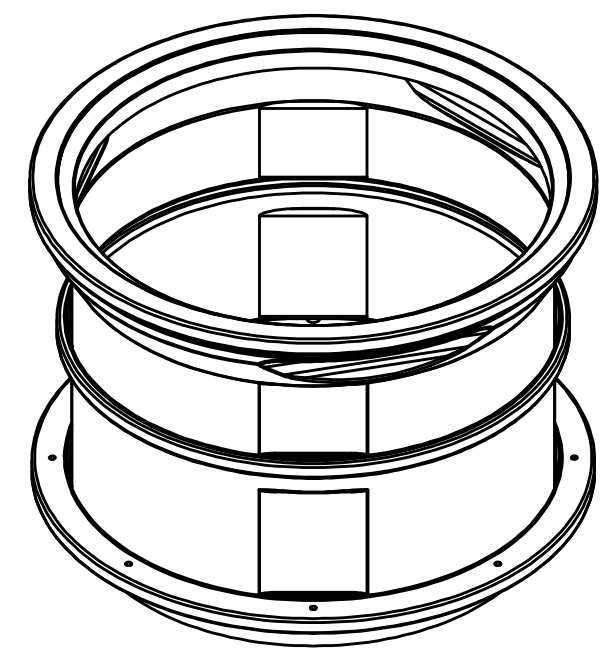



SECTION A-A
SCALE 1 / 8



DETAIL B
SCALE 1 / 2



DRAWN Todd Bolzer	5/10/2009	 NORWESCO, INC., ST. BONIFACIUS, MN TITLE		
CHECKED				
QA		15 INCH LOW PROFILE MAN HOLE EXTENSION		
MFG				
APPROVED				
		SIZE B	DWG NO 63833	REV E
		SCALE: 1/16	SHEET 1 OF 1	