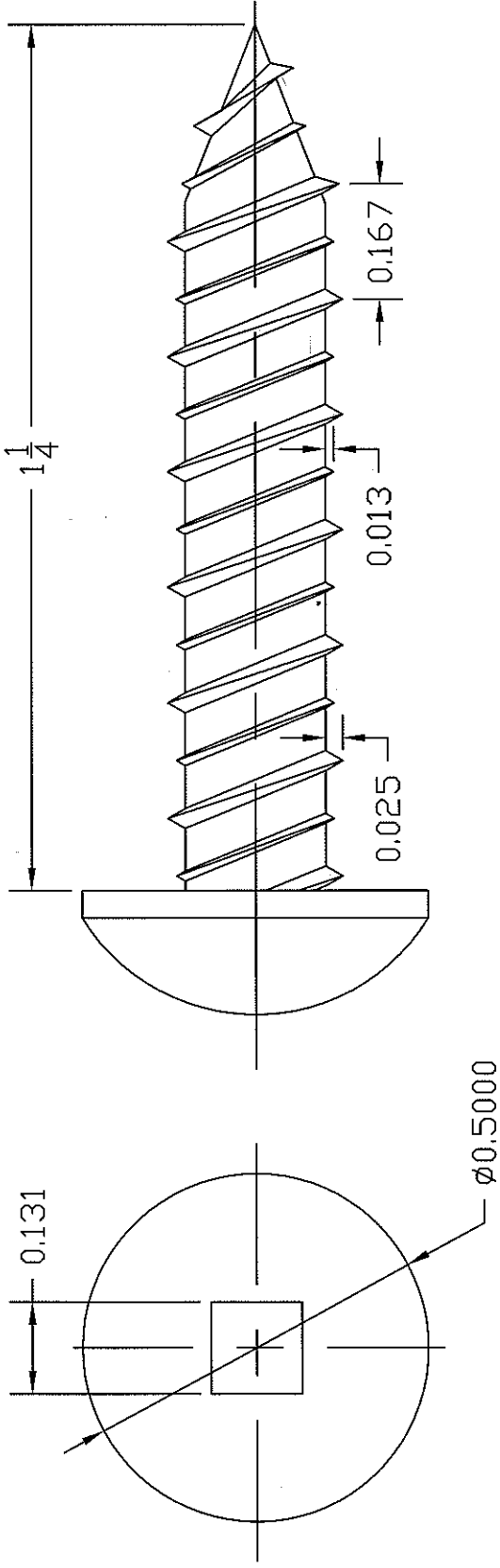


REVISIONS

ZONE	REV	DESCRIPTION	DATE	APPROVED



DESCRIPTION: #14 X 1 1/4 SELF TAPPING SCREW
 SQUARE DRIVE PAN HEAD
 TYPE A, SHARP POINT
 18-8 STAINLESS STEEL
 SPECIAL HIGH-LOW DOUBLE LEAD THREAD

NORWESCO
 ST. BONIFACIUS, MN

SCREW, SELF TAPPING, SS,
 #14 SQ DRV X 1 1/4

JTP	30JUN05	SIZE	FSCM NO.	DWG NO.	REV
		A		63522	
SCALE 4X				SHEET	