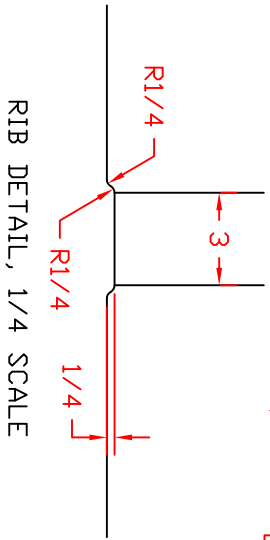
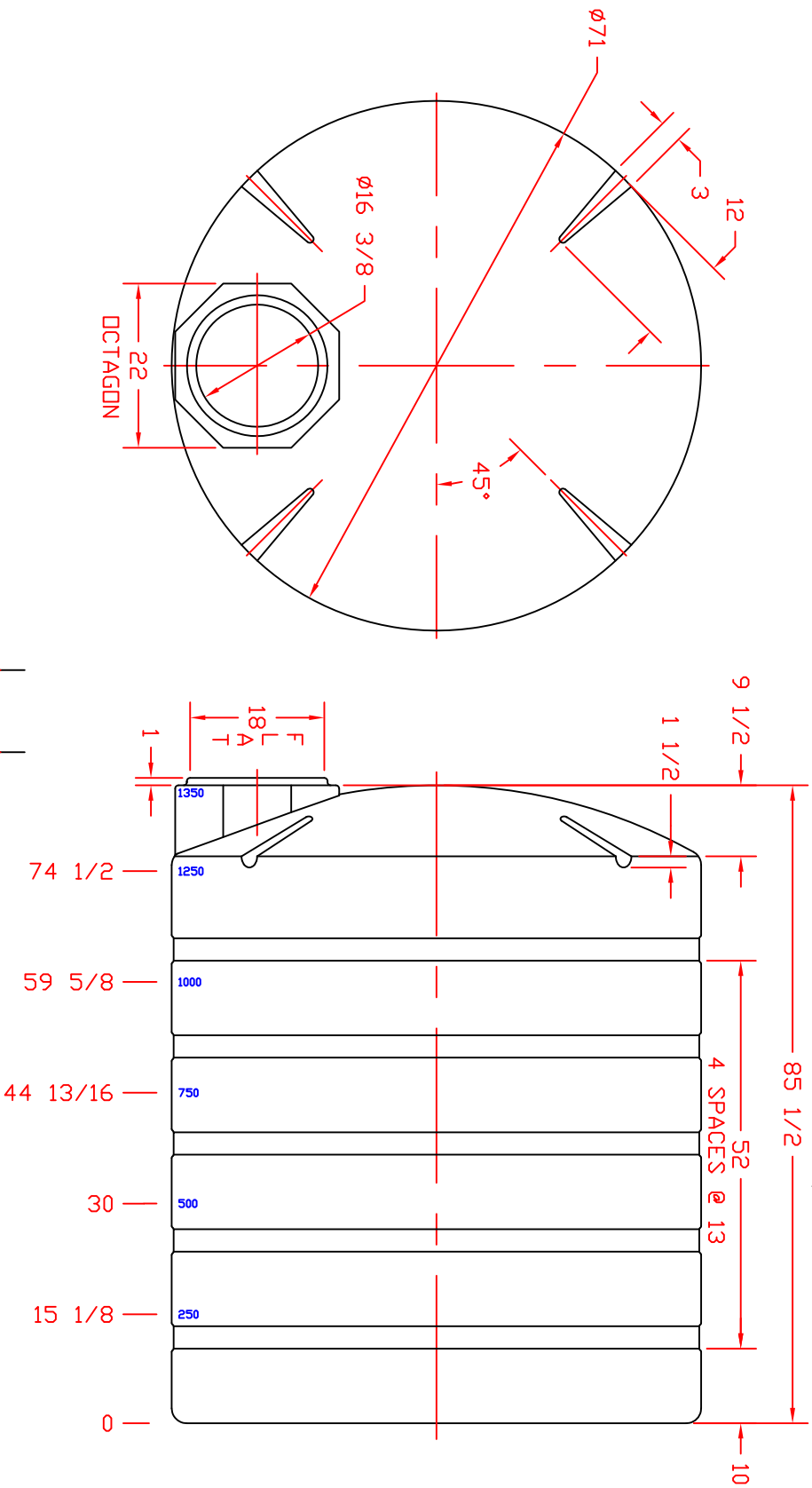


REVISIONS				
ZONE	REV	DESCRIPTION	DATE	APPROVED
	A	W/AS 46019	19OCT98	
	B	W/AS DWG ND 40860	15OCT03	



		ST. BONIFACIUS, MN	
		1350 GALLON VERTICAL TANK	
JTP	17JAN96	SIZE	FSOM NO.
B		SCALE	1/16
		DWG NO.	
		SHEET	
		REV	B

RIB DETAIL, 1/4 SCALE