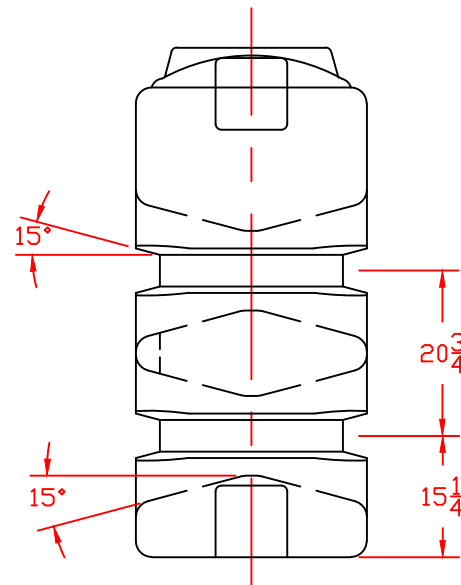
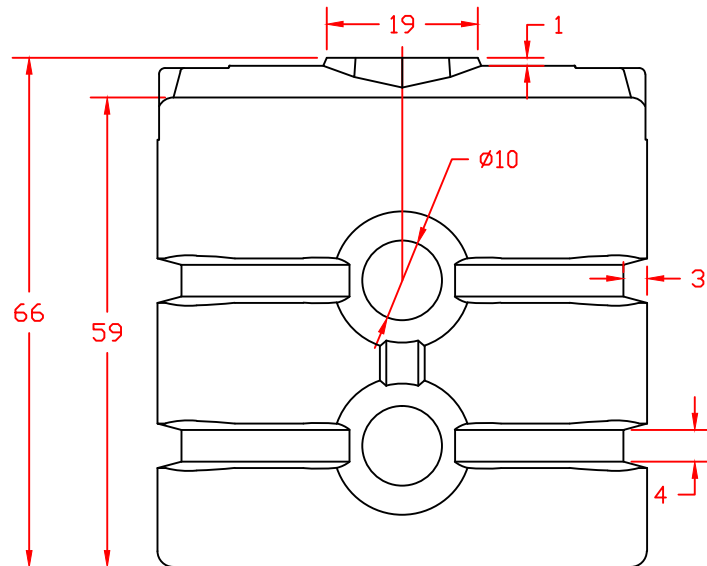


REVISIONS				
ZONE	REV	DESCRIPTION	DATE	APPROVED
	A	DIMS UPDATED	10DEC10	
	B	WAS 29	27MAY14	



NORWESCO
 ST. BONIFACIUS, MN
 400 GALLON
 FREESTANDING WATER TANK

JTP	13MAR00	SIZE B	FSCM NO.	DWG NO.	REV A
SCALE 1/16			SHEET		