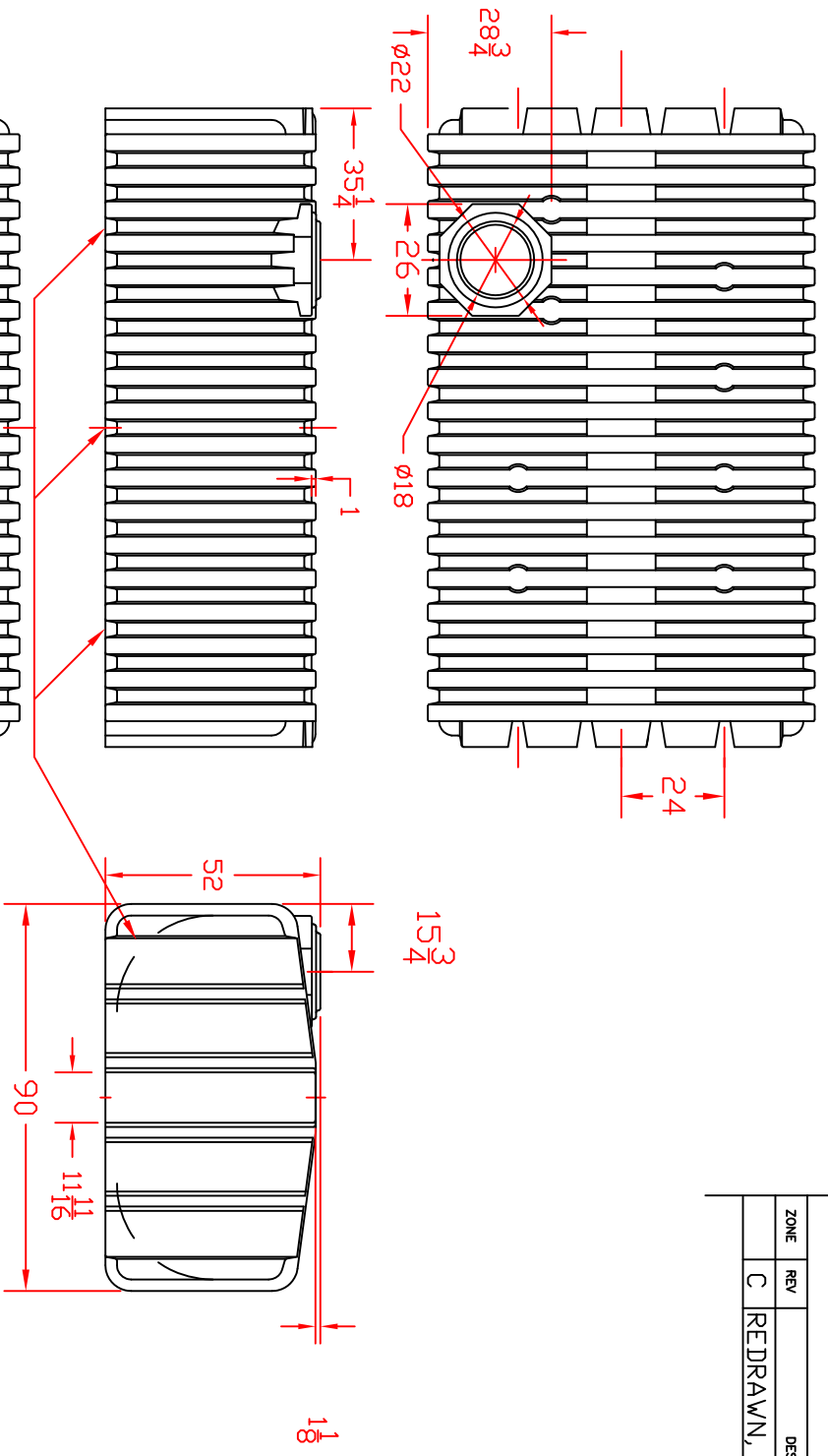


REVISIONS				
ZONE	REV	DESCRIPTION	DATE	APPROVED
C	REDRAWN,	ENDS REV'D	30APR02	



		ST. BONIFACIUS, MN 2400 GALLON HORIZONTAL TANK	
JTP	30APR02	SIZE	B
		FSCM NO.	
		DWG NO.	
SCALE 1/32		REV	C
		SHEET	