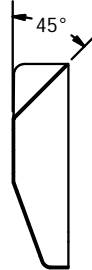
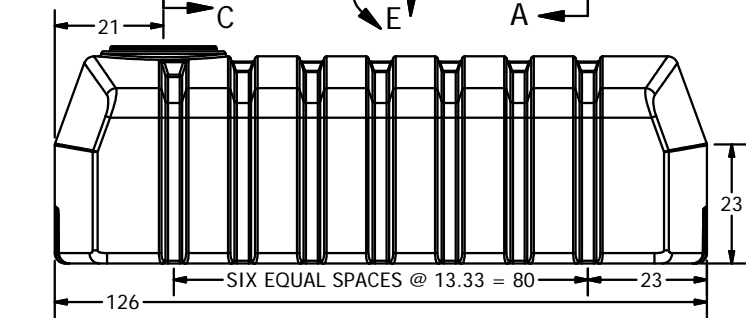


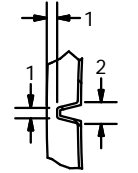
DETAIL E
SCALE 1 / 12



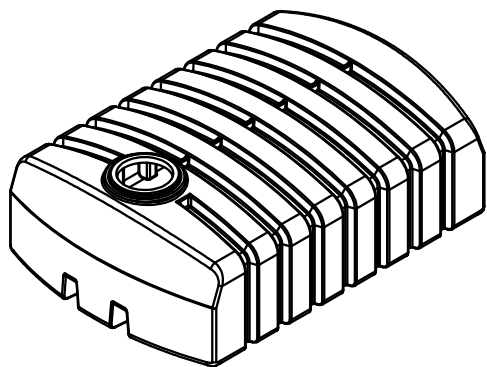
SECTION F-F
SCALE 1:24



SECTION A-A
SCALE 1:24



DETAIL B
SCALE 1 / 12



FOB ST BONIFACIUS MN AND LANCASTER OH

DRAWN Jerry Paulson	3/20/2009	NORWESCO NORWESCO, INC., ST. BONIFACIUS, MN		
CHECKED		TITLE		
QA		1600 GALLON LOW PROFILE WATER TANK		
MFG		SIZE B	DWG NO	REV
APPROVED		SCALE: 1/24		SHEET 1 OF 1