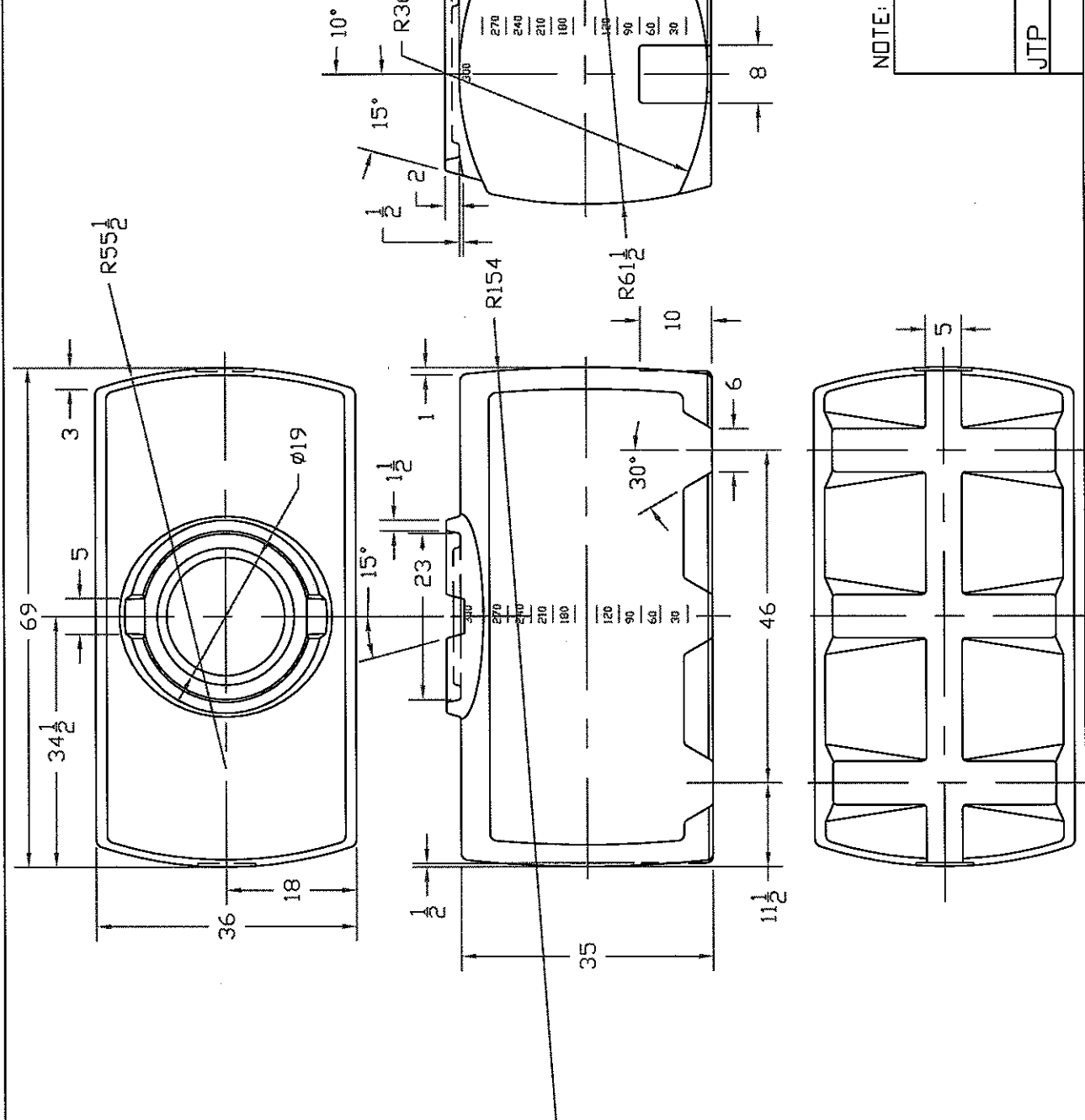


REVISIONS			DATE	APPROVED
ZONE	REV	DESCRIPTION		



34	31 3/4
30	28 7/16
26	13/16
23	11/16
20	5/8
17	5/8
14	9/16
11	1/2
8	3/8
5	3/16
	0

NOTE: GALLON MARKERS ONE END & ONE SIDE

NORWESCO
ST. BONIFACIUS, MN
300 GALLON PCO TANK

JTP	13SEP01	SIZE	FSCM NO.	DWG NO.	REV
		B			
				SCALE	SHEET
				1/16	