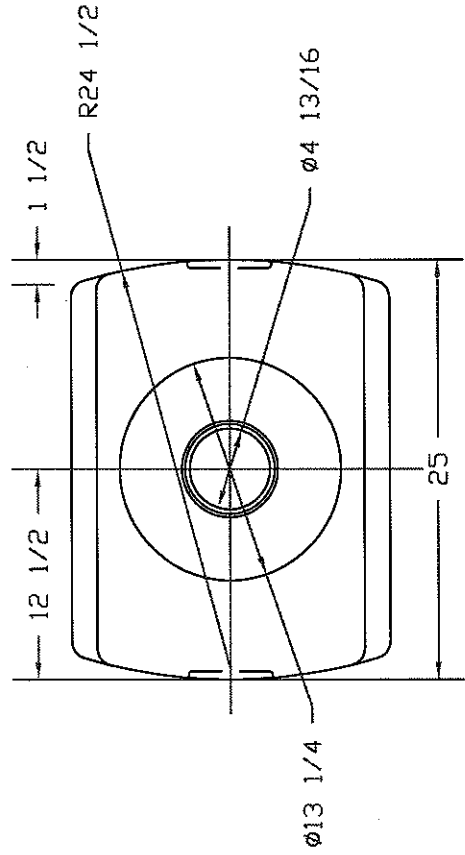
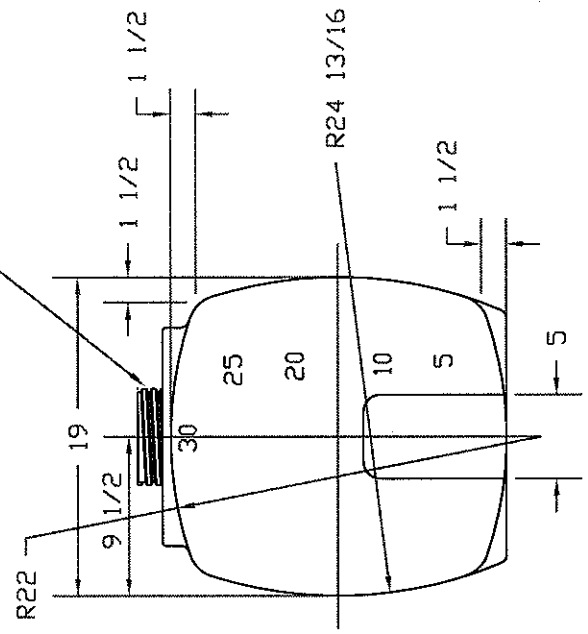


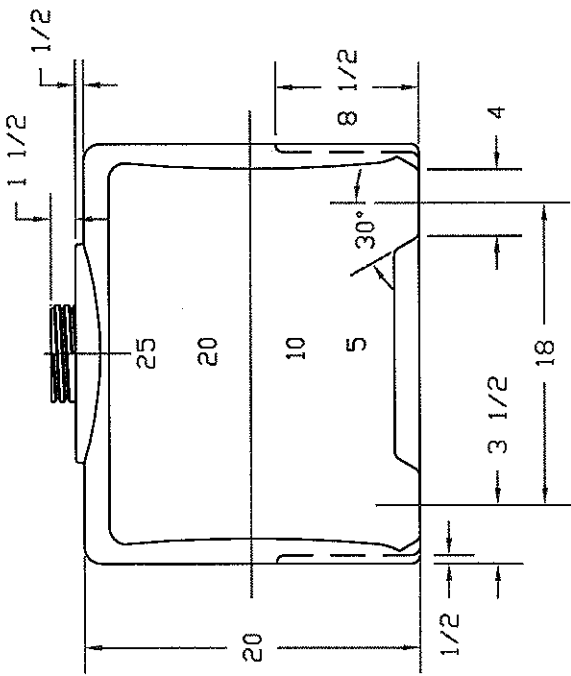
REVISIONS			
ZONE	REV	DESCRIPTION	DATE



5 3/4 OD THREAD
9/16 PITCH
5 3/8 MINOR DIA



- 19 —
- 16 3/8 —
- 12 5/8 —
- 7 3/8 —
- 3 5/8 —
- 0 —



NORWESCO
ST. BONIFACIUS, MN

30 GALLON PCO TANK

JTP	22JUL99	SIZE	FSCM NO.	DWG NO.	REV
		B			
SCALE 1/8					SHEET