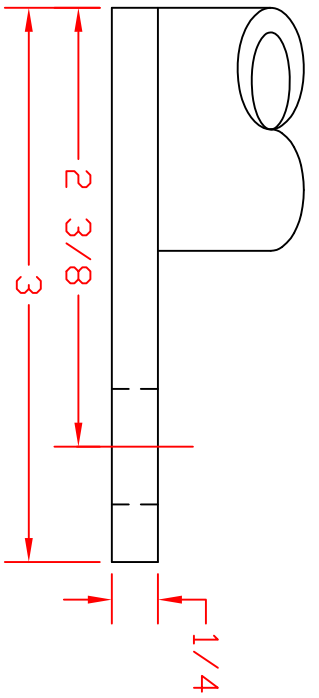
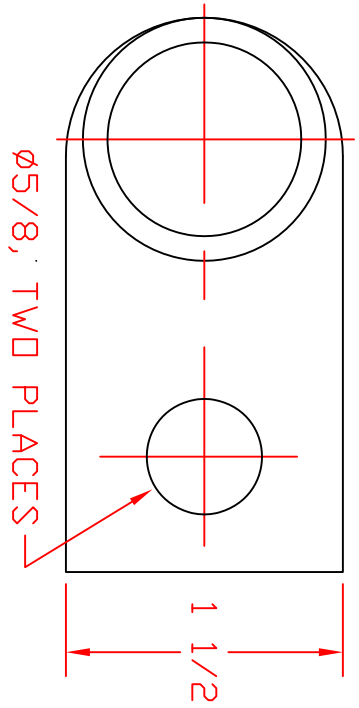
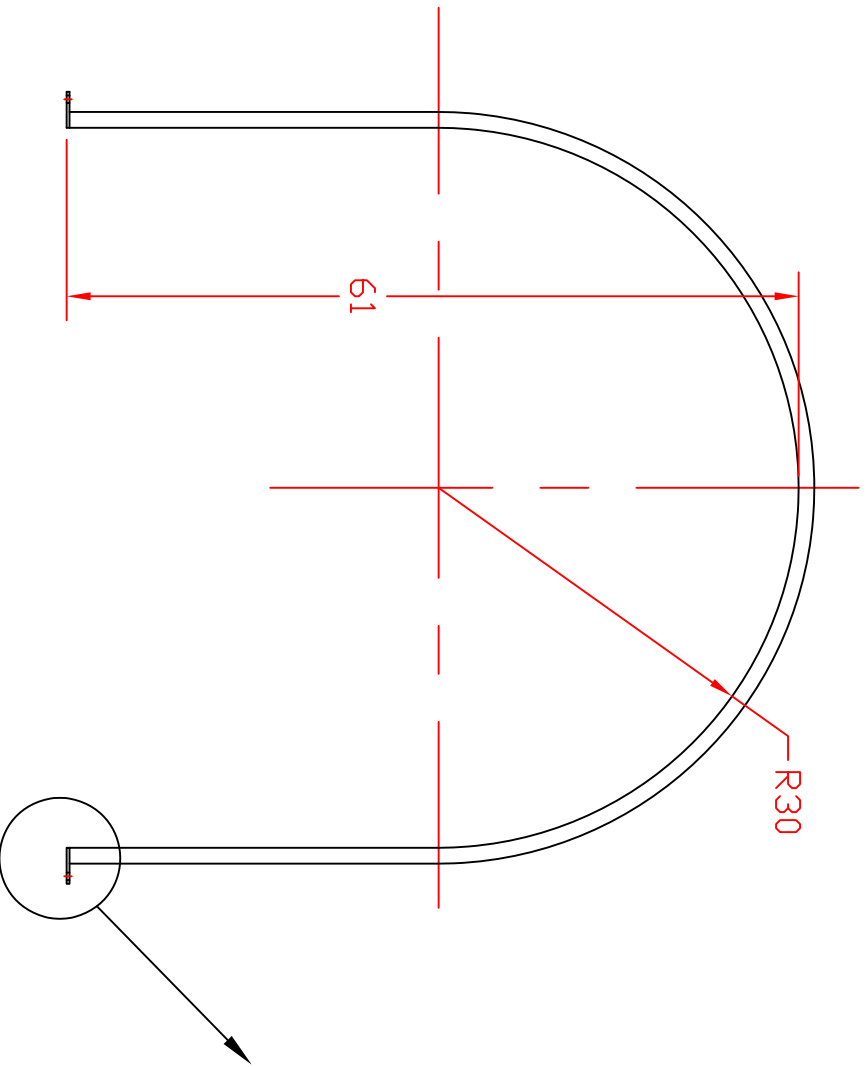


REVISIONS				
ZONE	REV	DESCRIPTION	DATE	APPROVED



FULL SCALE DETAIL

NOTE: WELD WITH LOW HYDROGEN ROD
 FINISH: HOT DIPPED GALVANIZED

NORWESCO
 ST. BONIFACIUS, MN

BAND, 925 & 1800 GAL
 HORIZONTAL TANKS

JTP	15SEP00	SIZE	FSCM NO.	DWG NO.	REV
A		A		62852	
SCALE 1/16					SHEET