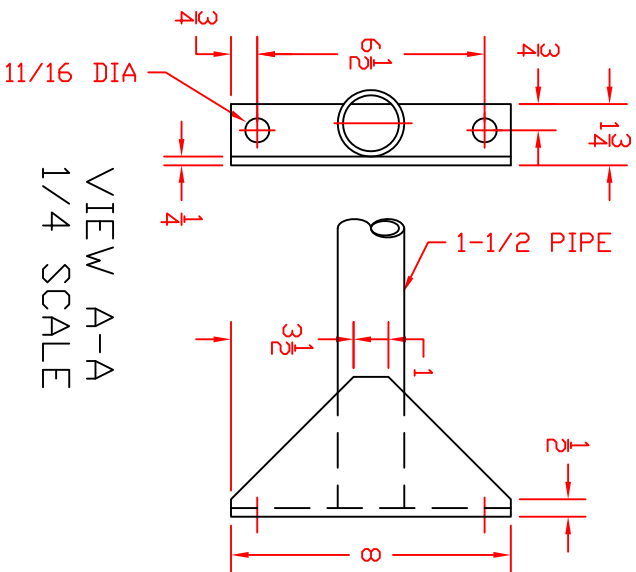
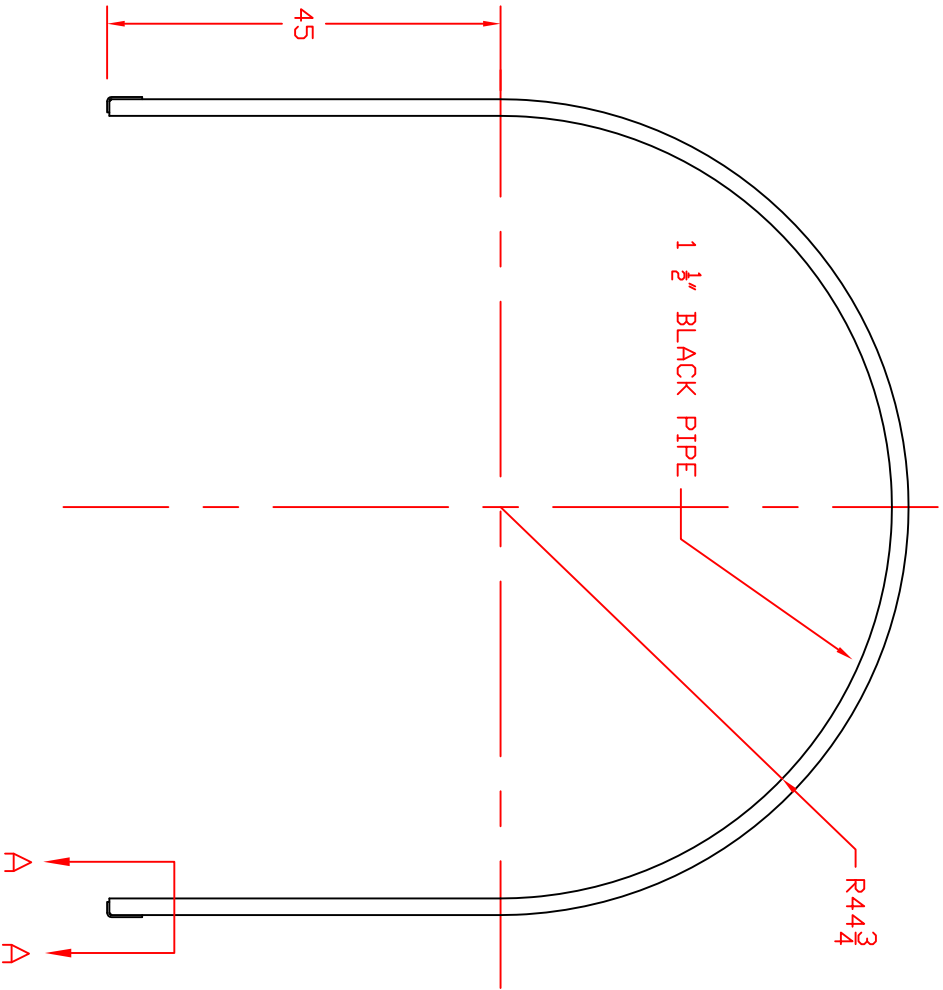


REVISIONS				
ZONE	REV	DESCRIPTION	DATE	APPROVED



VIEW A-A  
1/4 SCALE

		ST. BONIFACIUS, MN	
		BAND, 3725 & 5025	
GALLON HORIZONTAL TANK		DWG NO. 63284	
JTP	15SEP03	SIZE	REV
B		FSCM NO.	
SCALE 1/16		SHEET	