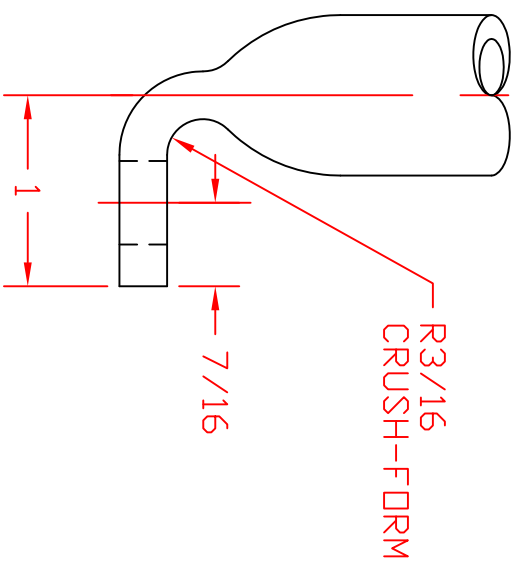
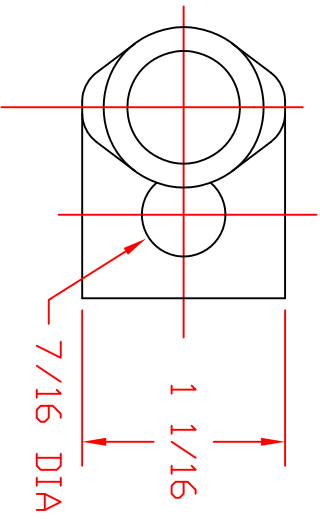
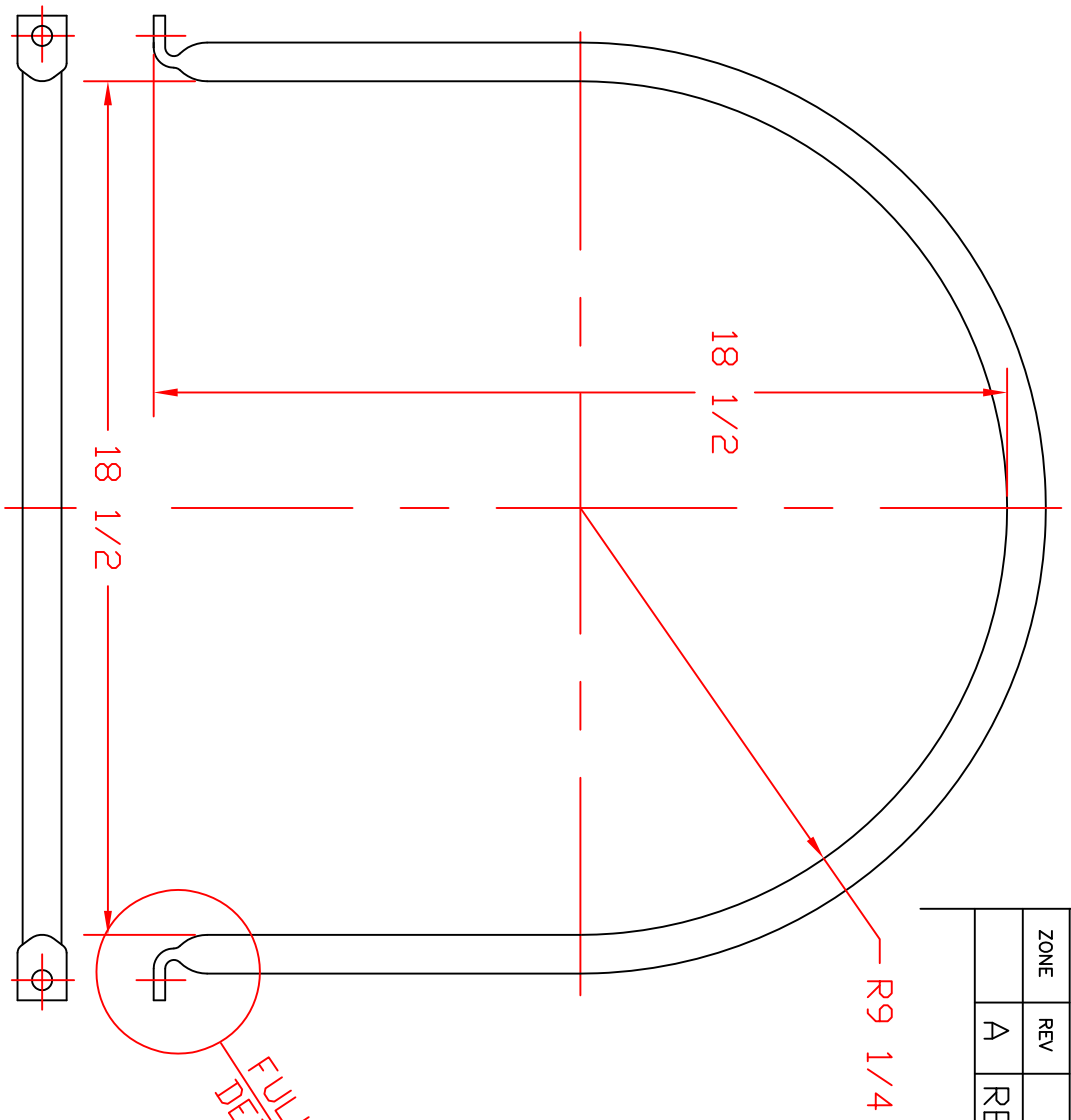


REVISIONS				
ZONE	REV	DESCRIPTION	DATE	APPROVED
	A	REDRAWN	09SEP97	



FULL SCALE  
DETAIL

MAT'L: 1/2" GALVANIZED EMT CONDUIT

		ST. BONIFACIUS, MN BAND, 35 GALLON HORIZONTAL TANK	
JTP	09SEP97	SIZE	FSCM NO.
A		SCALE	1/4
		DWG NO.	60520
		SHEET	
		REV	A