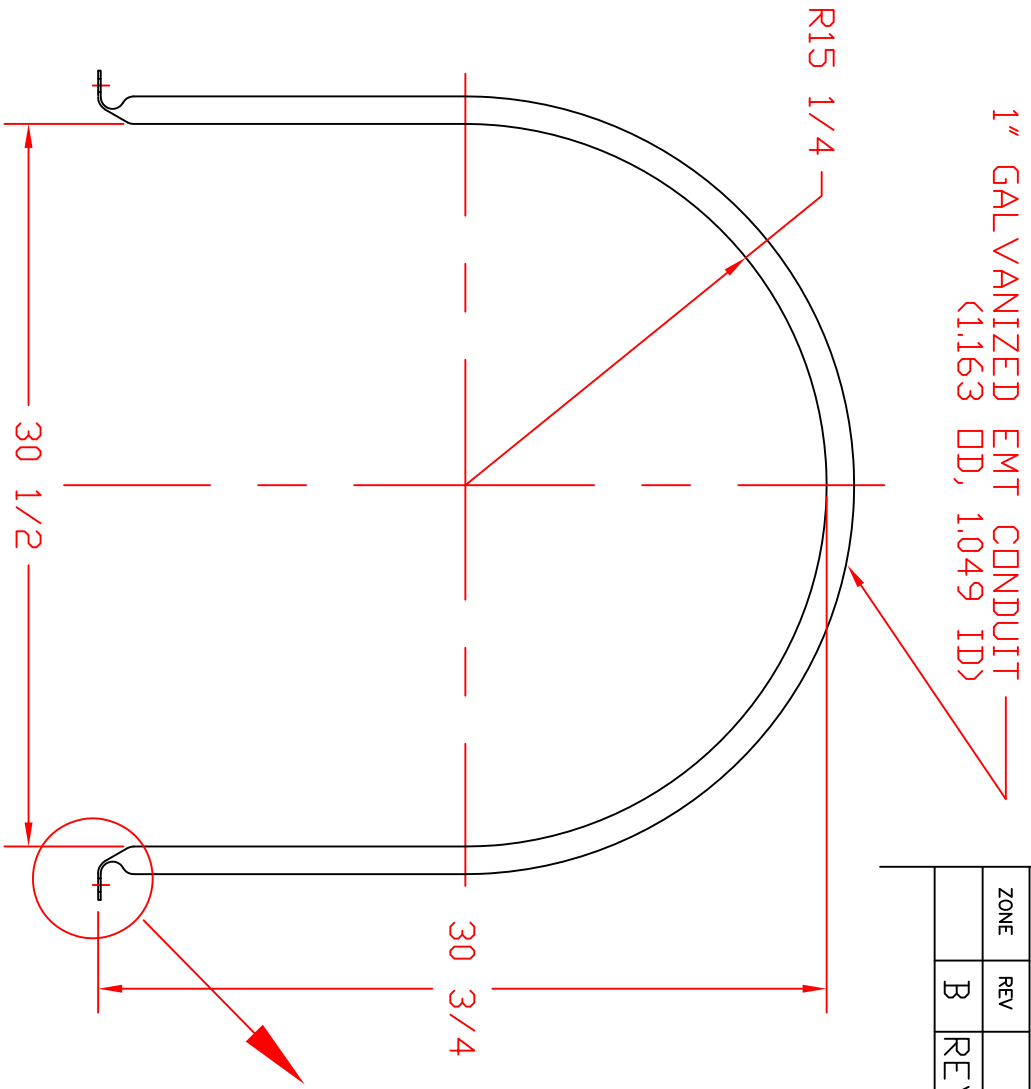
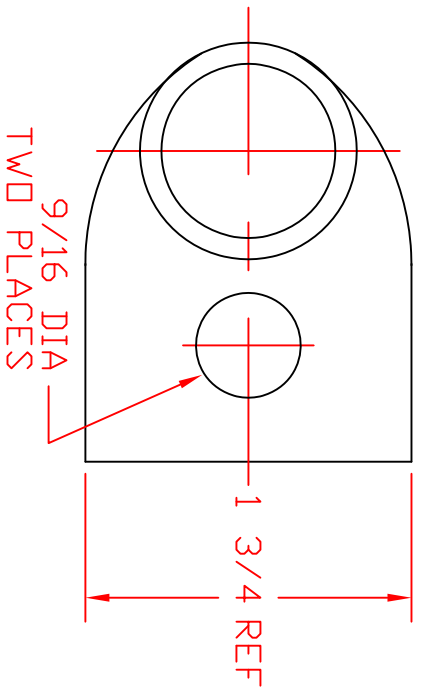


1" GALVANIZED EMT CONDUIT
(1.163 OD, 1.049 ID)

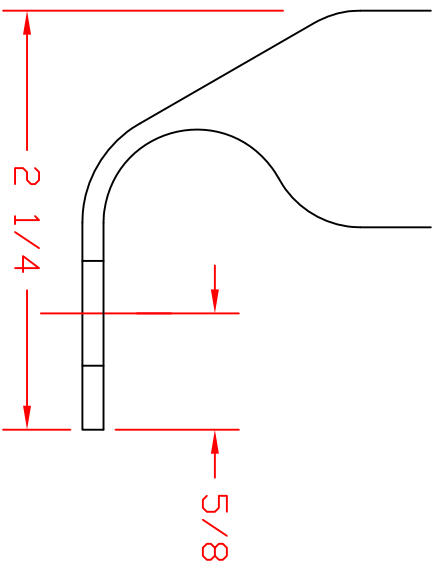


REVISIONS

ZONE	REV	DESCRIPTION	DATE	APPROVED
B	REVISED & REDRAWN		15MAR99	



FULL SCALE DETAIL



NORWESCO
ST. BONIFACIUS, MN

BAND, 125 GALLON
HORIZONTAL TANK

JTP	15MAR99	SCALE $\frac{1}{8}$	SHEET
SIZE	FSCM NO.	DWG NO.	REV
A		61744	B