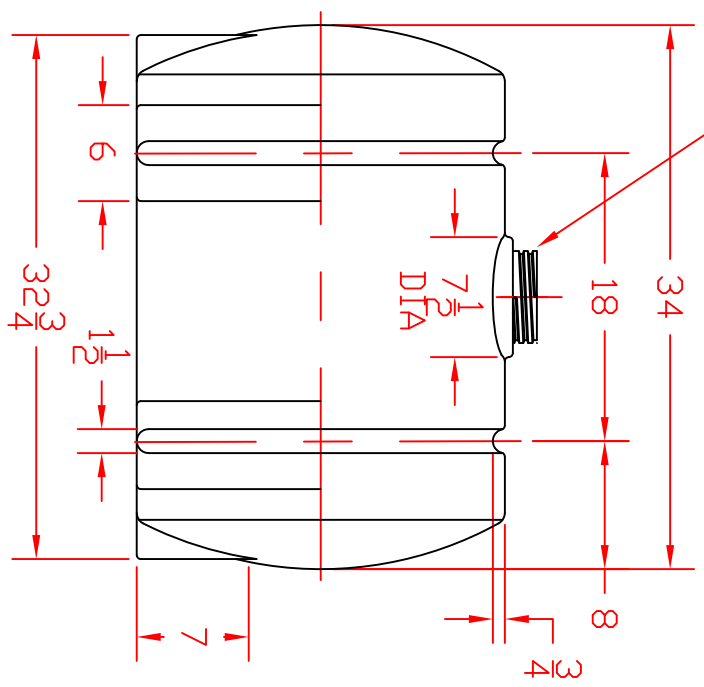
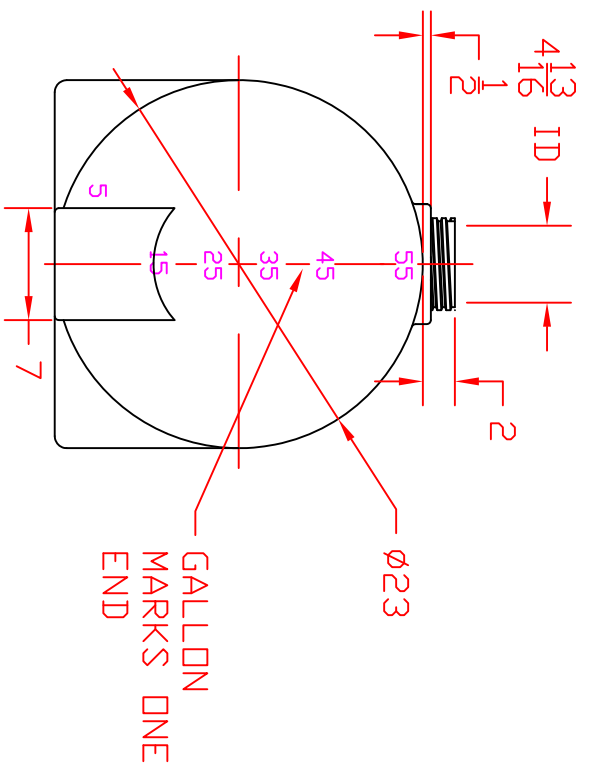


REVISIONS				
ZONE	REV	DESCRIPTION	DATE	APPROVED

ACME THREAD DIA
 5-3/4 MAJOR DIA
 5-3/8 MINOR DIA
 9/16 PITCH



- 16.8 -
- 13.3 -
- 9.9 -
- 6.5 -
- 2.7 -
- 0.0 -



NORWESCO
 ST. BONIFACIUS, MN
 55 GALLON HORIZONTAL TANK

JTP	25AUG03	SCALE 1/12	DWG NO. 41873	REV
SIZE	FSCM NO.	A		