
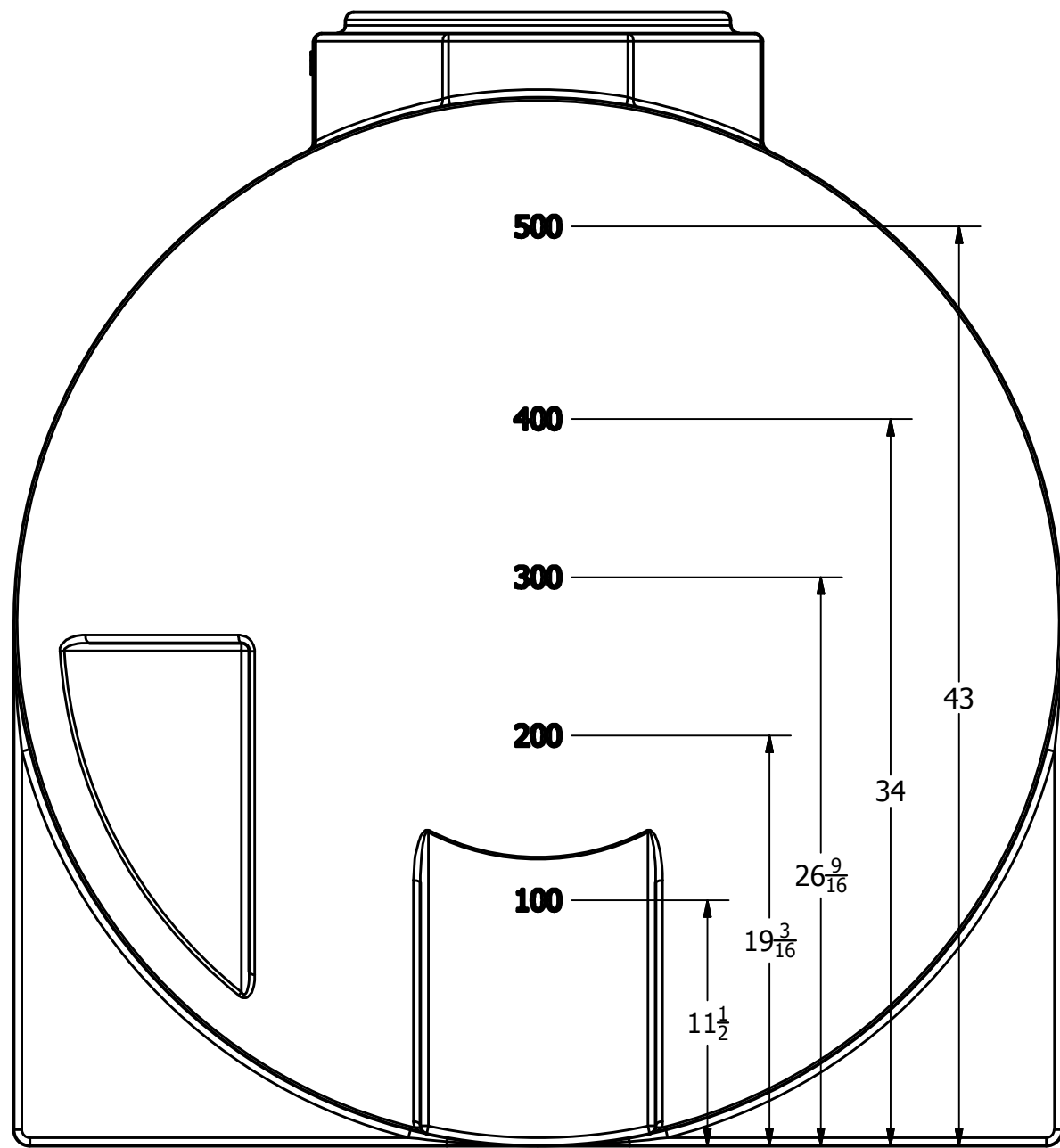



REVISION HISTORY			
REV	DESCRIPTION	DATE	AUTHOR
C	REDRAWN	2/10/1997	
C1	CORRECTED, WAS 27-1/2	9/23/2002	
D	WAS 72 1/2	12/3/2004	
E	REDRAWN	7/12/2013	Michael Holden

DRAWN Jerry Paulson	2/10/1997	 NORWESCO NORWESCO, INC. SAINT BONIFACIUS, MN TITLE		
CHECKED				
QA		525 GALLON HORIZONTAL TANK		
MFG				
APPROVED				
		SIZE B	DWG NO	REV E
		SCALE: 1/16	SHEET 1 OF 2	



GALLON MARKS
ON BOTH ENDS

DRAWN Jerry Paulson	2/10/1997			
CHECKED		NORWESCO, INC. SAINT BONIFACIUS, MN		
QA		TITLE		
MFG		525 GALLON HORIZONTAL TANK		
APPROVED		SIZE	DWG NO	REV
		B		E
		SCALE: 1/16		SHEET 2 OF 2