
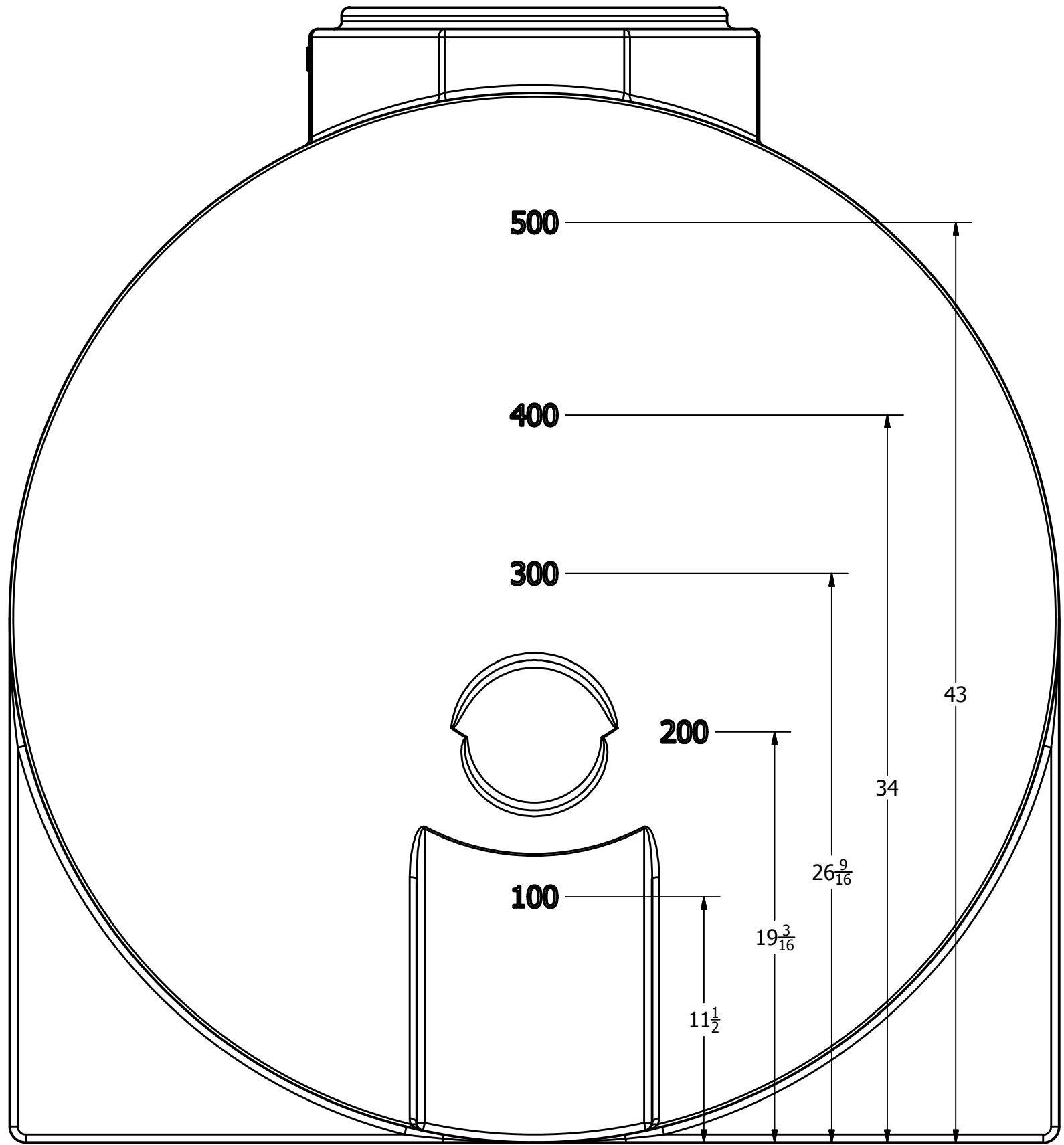



| REVISION HISTORY | | | |
|------------------|------------------------|-----------|----------------|
| REV | DESCRIPTION | DATE | AUTHOR |
| D | REDRAWN, SPARGER REV'D | 5/3/2001 | |
| E | CORRECTED, WAS 27-1/2 | 9/23/2002 | |
| F | WAS 72 1/2 | 12/3/2004 | |
| G | ADDED SHAWNEE, OK | 7/22/2009 | |
| H | REDRAWN | 7/12/2013 | Michael Holden |

| | | | | |
|------------------------|----------|---|--------------|----------|
| DRAWN Jerry Paulson | 5/3/2001 |  NORWESCO, INC. SAINT BONIFACIUS, MN TITLE | | |
| CHECKED | | | | |
| QA | | 525 GALLON HORIZONTAL TANK | | |
| MFG | | | | |
| APPROVED | | | | |
| | | SIZE B | DWG NO | REV H |
| | | SCALE: 1/16 | SHEET 1 OF 2 | |

FOB GRIFFIN, GA FAIRFIELD, TX & SHAWNEE, OK





| | | | | |
|--|----------|--|--------------|----------|
| DRAWN Jerry Paulson CHECKED QA MFG APPROVED | 5/3/2001 |  NORWESCO, INC. SAINT BONIFACIUS, MN TITLE 525 GALLON HORIZONTAL TANK | | |
| | | SIZE B | DWG NO | REV H |
| | | SCALE: 1/16 | SHEET 2 OF 2 | |