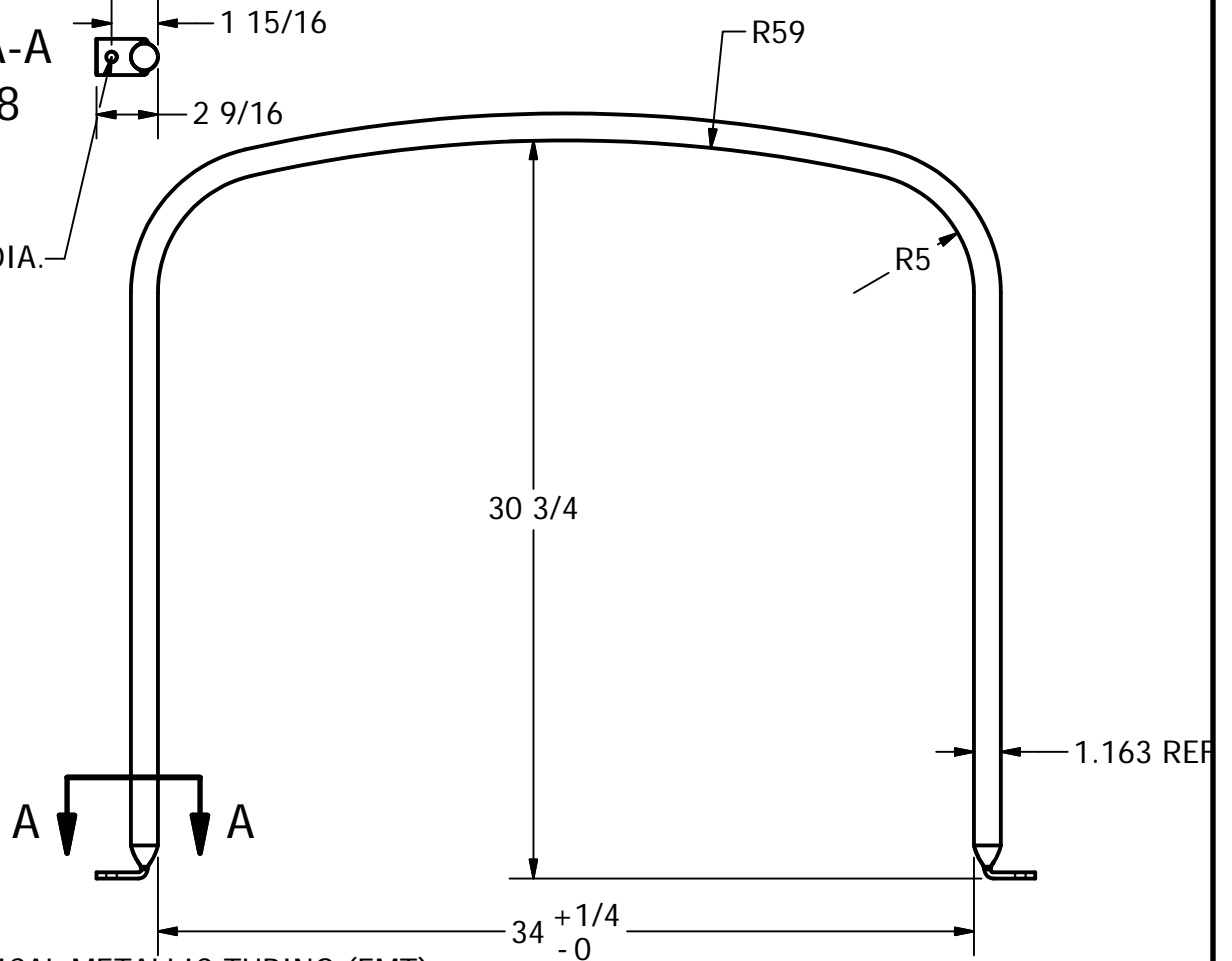
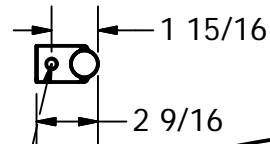
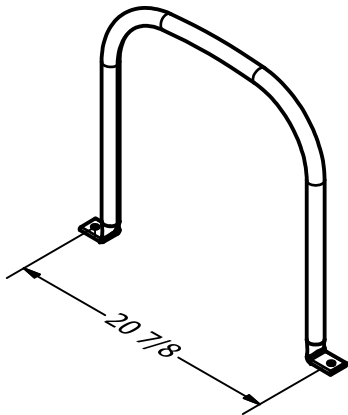



SECTION A-A  
SCALE 1/8

(2) HOLES, 7/16 DIA.



MAT'L: 1" ELECTRICAL METALLIC TUBING (EMT)



|                        |           |                                                                                                                             |              |     |
|------------------------|-----------|-----------------------------------------------------------------------------------------------------------------------------|--------------|-----|
| DRAWN<br>Jerry Paulson | 7/9/2010  | <br>NORWESCO, INC., ST. BONIFACIUS, MN |              |     |
| CHECKED                |           |                                                                                                                             |              |     |
| QA                     |           | HOOP, 200 GALLON FLAT BOTTOM UTILITY TANK                                                                                   |              |     |
| MFG                    |           |                                                                                                                             |              |     |
| APPROVED               |           |                                                                                                                             |              |     |
|                        | SIZE<br>A | DWG NO<br>63554                                                                                                             |              | REV |
|                        |           | SCALE: 1/16                                                                                                                 | SHEET 1 OF 1 |     |