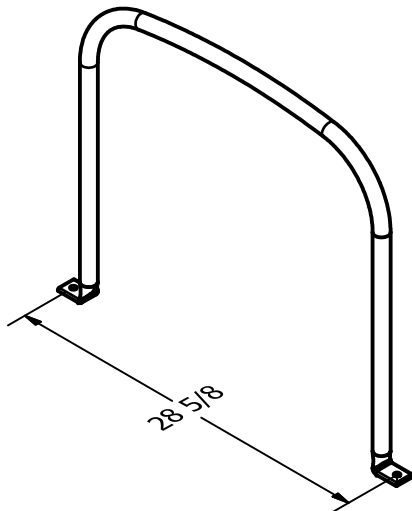
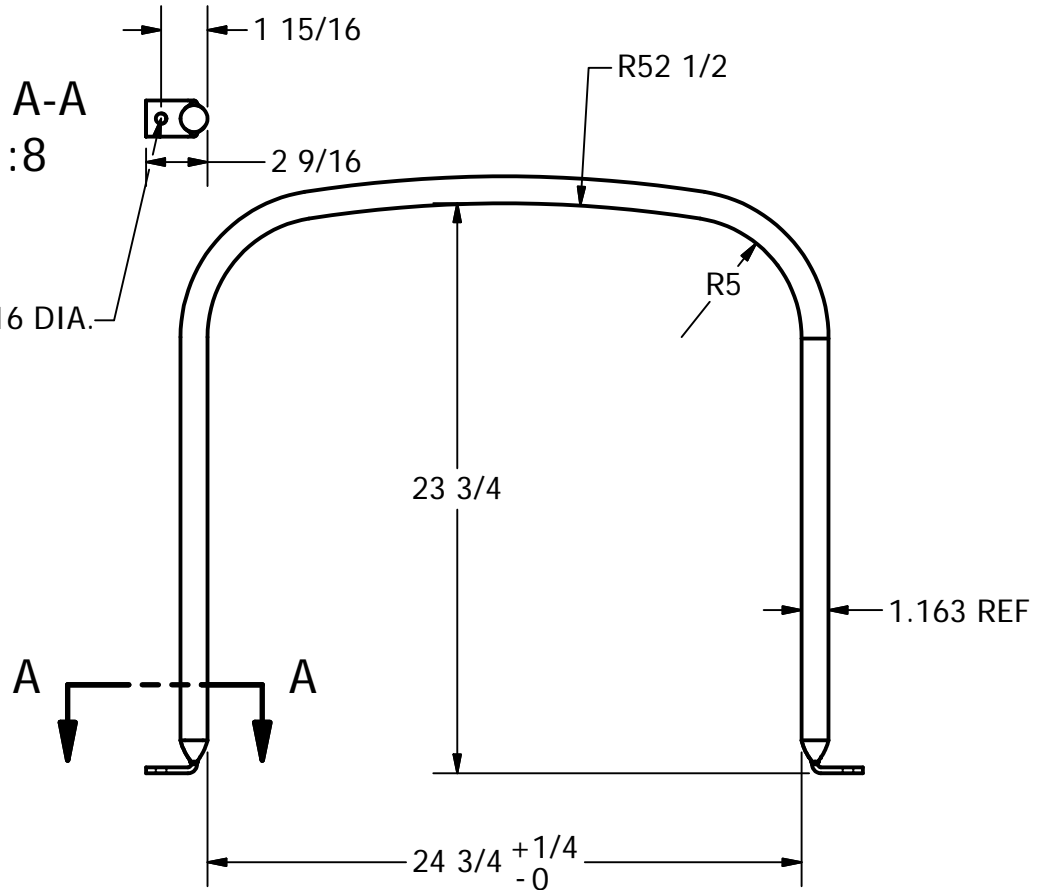



SECTION A-A
SCALE 1:8

(2) HOLES, 7/16 DIA.



MAT'L: 1" ELECTRICAL METALLIC TUBING (EMT)

DRAWN Jerry Paulson	2/21/2008	 NORWESCO, INC., ST. BONIFACIUS, MN		
CHECKED		TITLE		
QA		HOOP, 100 GALLON FLAT BOTTOM UTILITY TANK		
MFG				
APPROVED				
		SIZE A	DWG NO 63552	REV
		SCALE: 1/8	SHEET 1 OF 1	