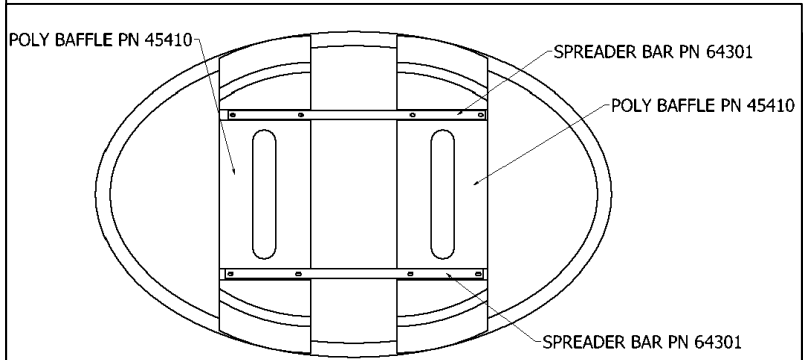
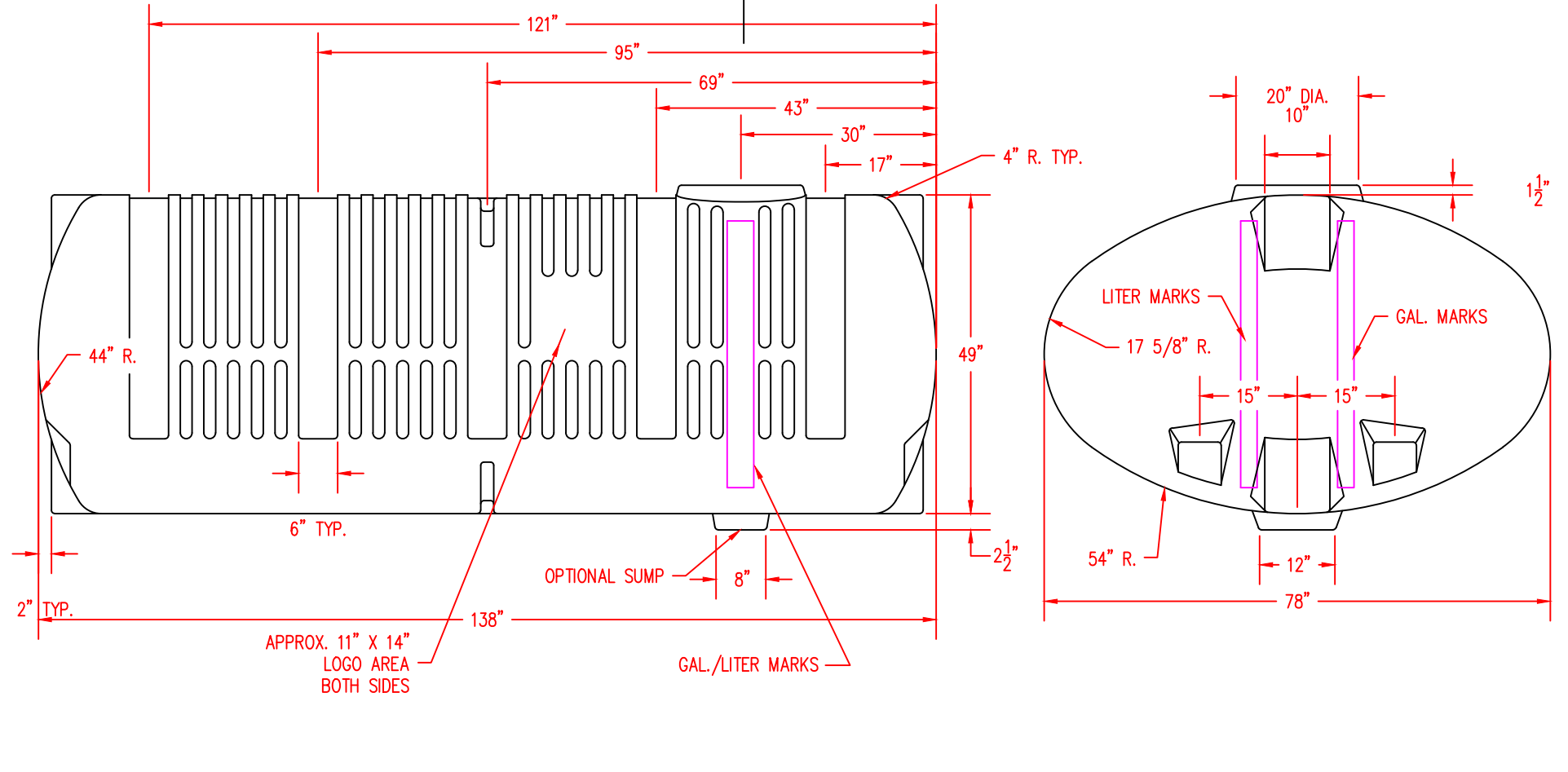


REVISIONS				
ZONE	REV	DESCRIPTION	DATE	APPROVED
	A	ADDED POLY BAFFLES	NOV 2018	



JTP 14JUL03		<b>NORWESCO</b>		REV A
		ST. BONIFACIUS, MN		
SCALE 1/24		1600 GALLON ELLIPTICAL TANK		SHEET
		SIZE A	FSCM NO.	