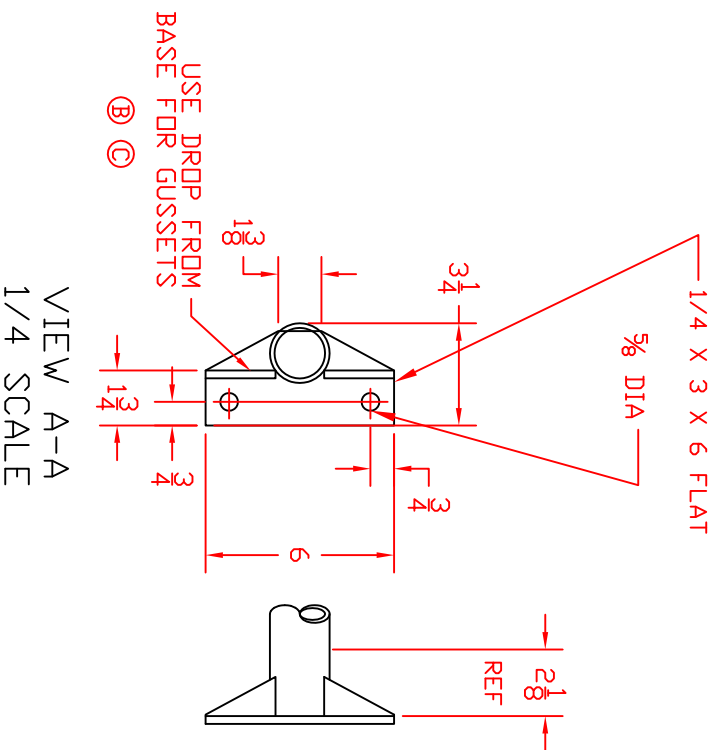
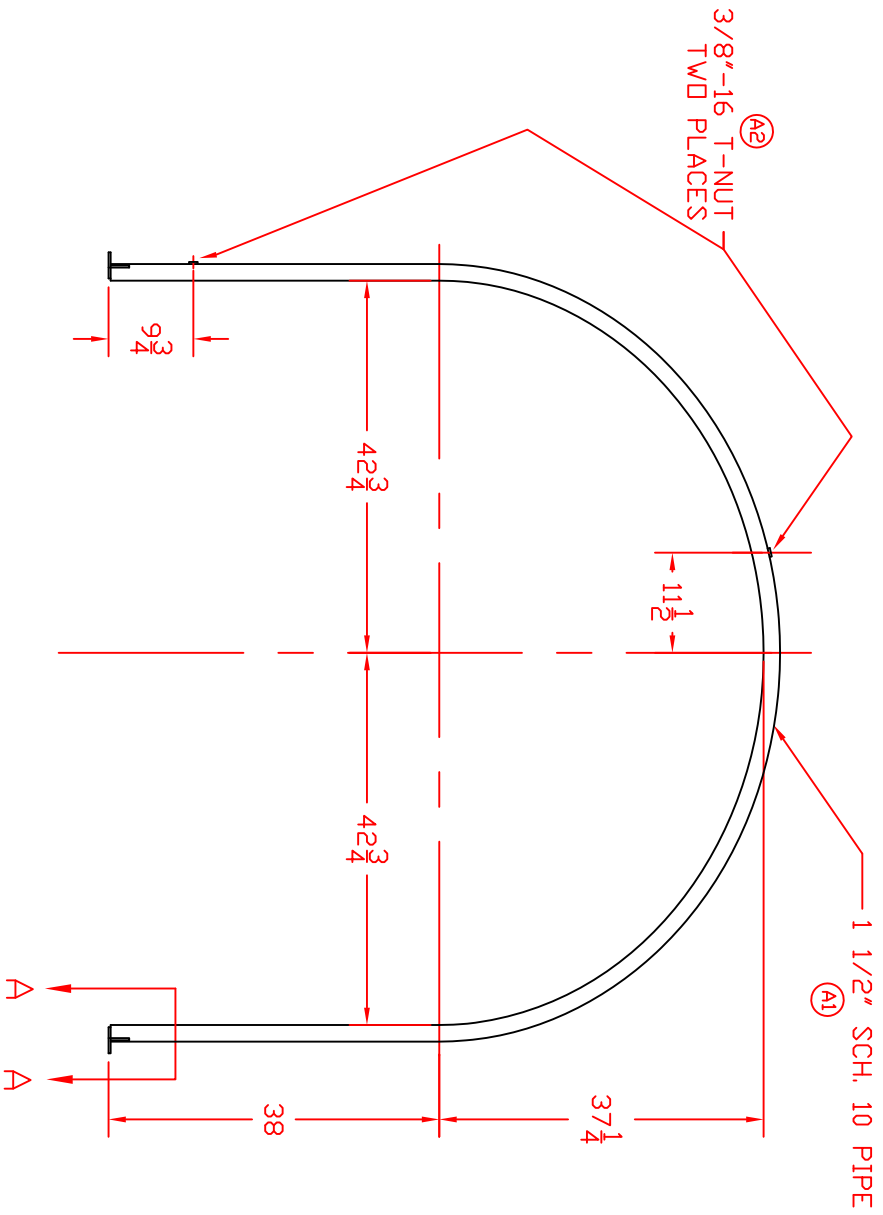


REVISIONS				
ZONE	REV	DESCRIPTION	DATE	APPROVED
	A	1-WAS 2", 2-ADDED	21JUL 97	
	B	GUSSETS ADDED	29JAN98	
	C	GUSSETS REVISED	19DCT98	



		ST. BONIFACIUS, MN	
		2650-3135-3250 GALLON ELLIPTICAL LEG TANK BAND	
JTP	13MAR96	SCALE 1/16	
SIZE	FORM NO.	DWG NO.	REV
B		62097	C
		SHEET	