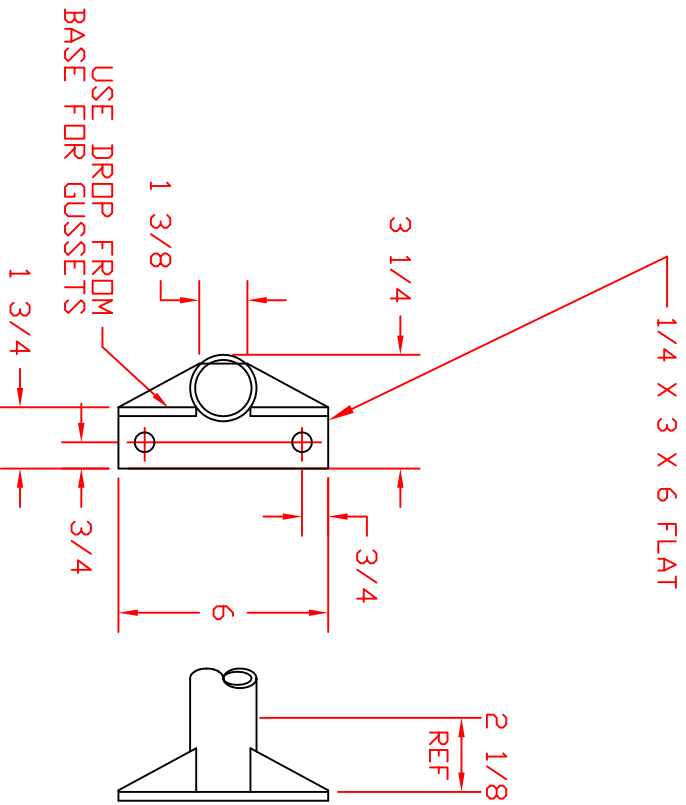
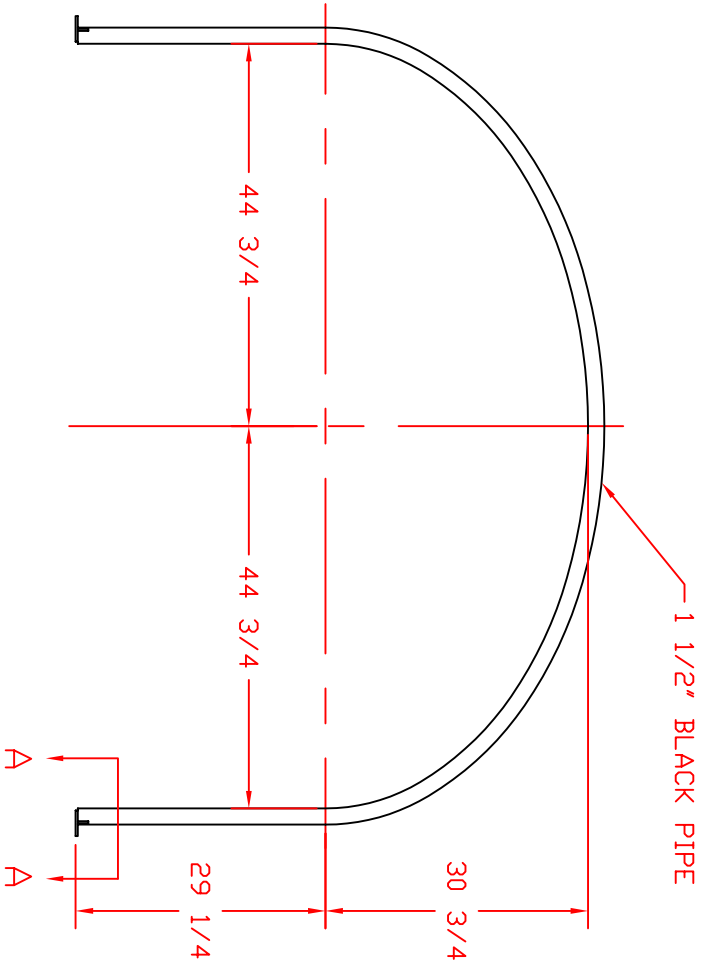


REVISIONS				
ZONE	REV	DESCRIPTION	DATE	APPROVED



VIEW A-A  
1/4 SCALE

		ST. BONIFACIUS, MN LONG BAND, 3210 DRAINABLE TANK	
JTP	14SEP00	SIZE	FSQM NO.
B		DWG NO.	62348
SCALE	1/16	SHEET	REV