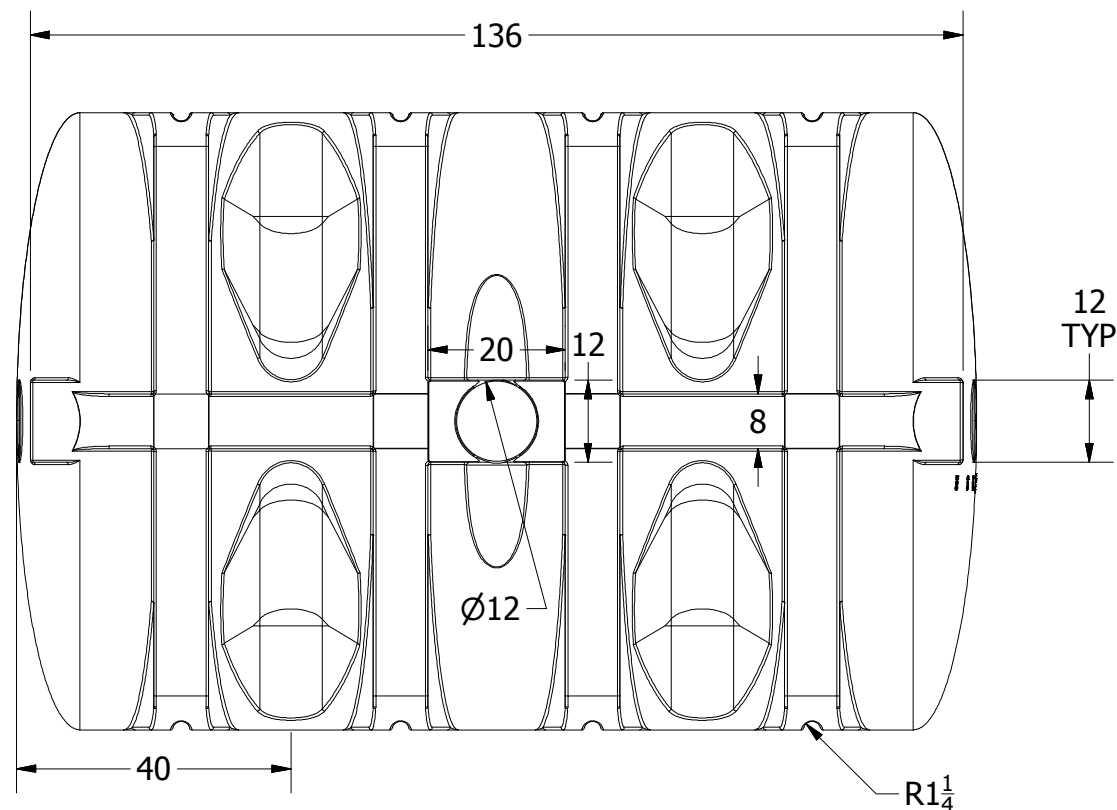
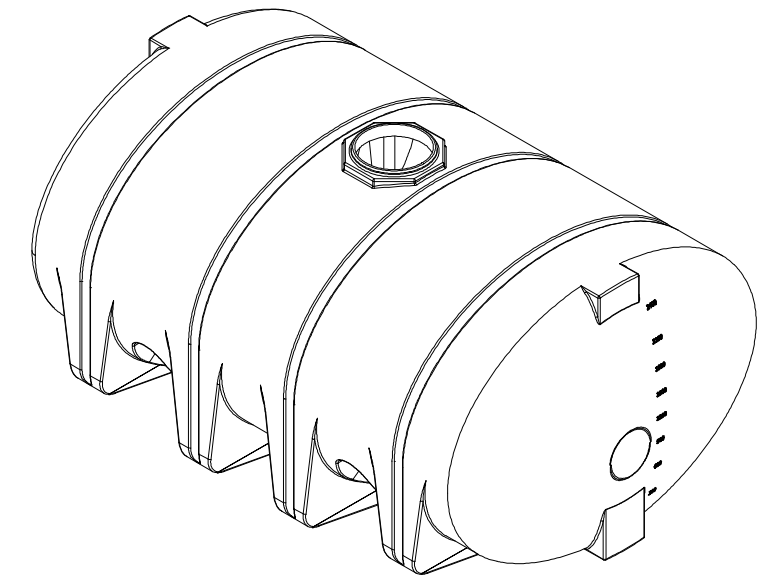

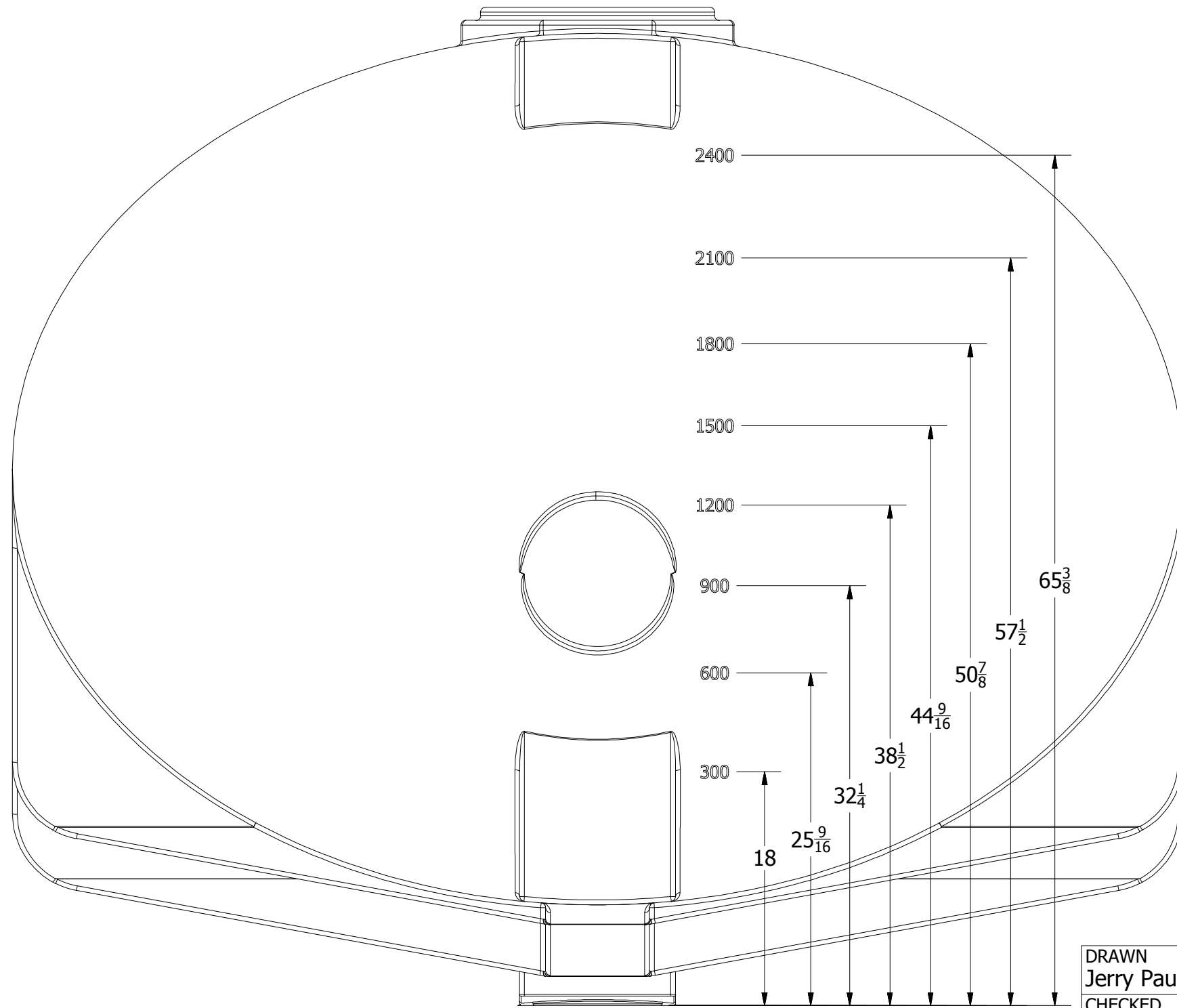


SECTION A-A
SCALE 1:8



REVISION HISTORY			
REV	DESCRIPTION	DATE	AUTHOR
A	WAS 22 1/2	5/6/2002	
B	REDRAWN	7/30/2013	Michael Holden
DRAWN Jerry Paulson		5/21/2001	 NORWESCO NORWESCO, INC. SAINT BONIFACIUS, MN TITLE
CHECKED			
QA			2610 GALLON ELLIPTICAL DRAINABLE LEG TANK
MFG			
APPROVED			
SIZE B		DWG NO	REV B
SCALE: 1/16		SHEET 1 OF 2	



DRAWN
Jerry Paulson
5/21/2001

CHECKED

QA

MFG

APPROVED



NORWESCO, INC. SAINT BONIFACIUS, MN

TITLE

2610 GALLON ELLIPTICAL DRAINABLE LEG
TANK

SIZE

B

DWG NO

REV

B

SCALE: 1/16

SHEET 2 OF 2