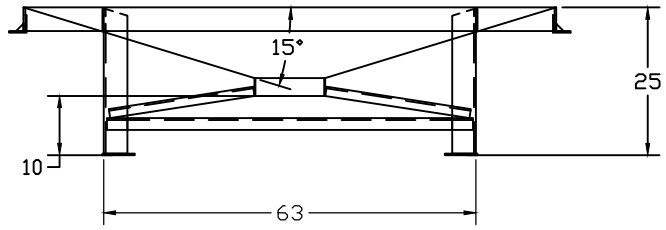
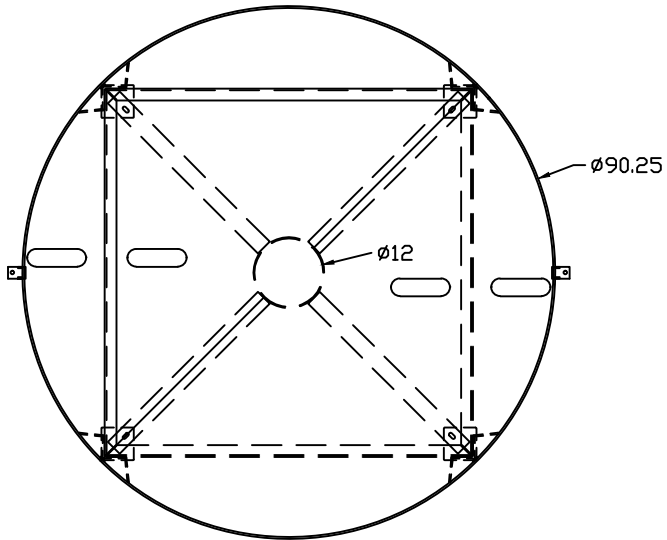


REVISIONS				
ZONE	REV	DESCRIPTION	DATE	APPROVED



LIV 3/5/2015		 <b>NORWESCO</b> ST. BONIFACIUS, MN STEEL STAND- CONE BOTTOM 1020, 1320, 1720, 2500 - 15 DEG.		
		SIZE B	FSCM NO.	DWG NO. 64090
SCALE 1/		SHEET		