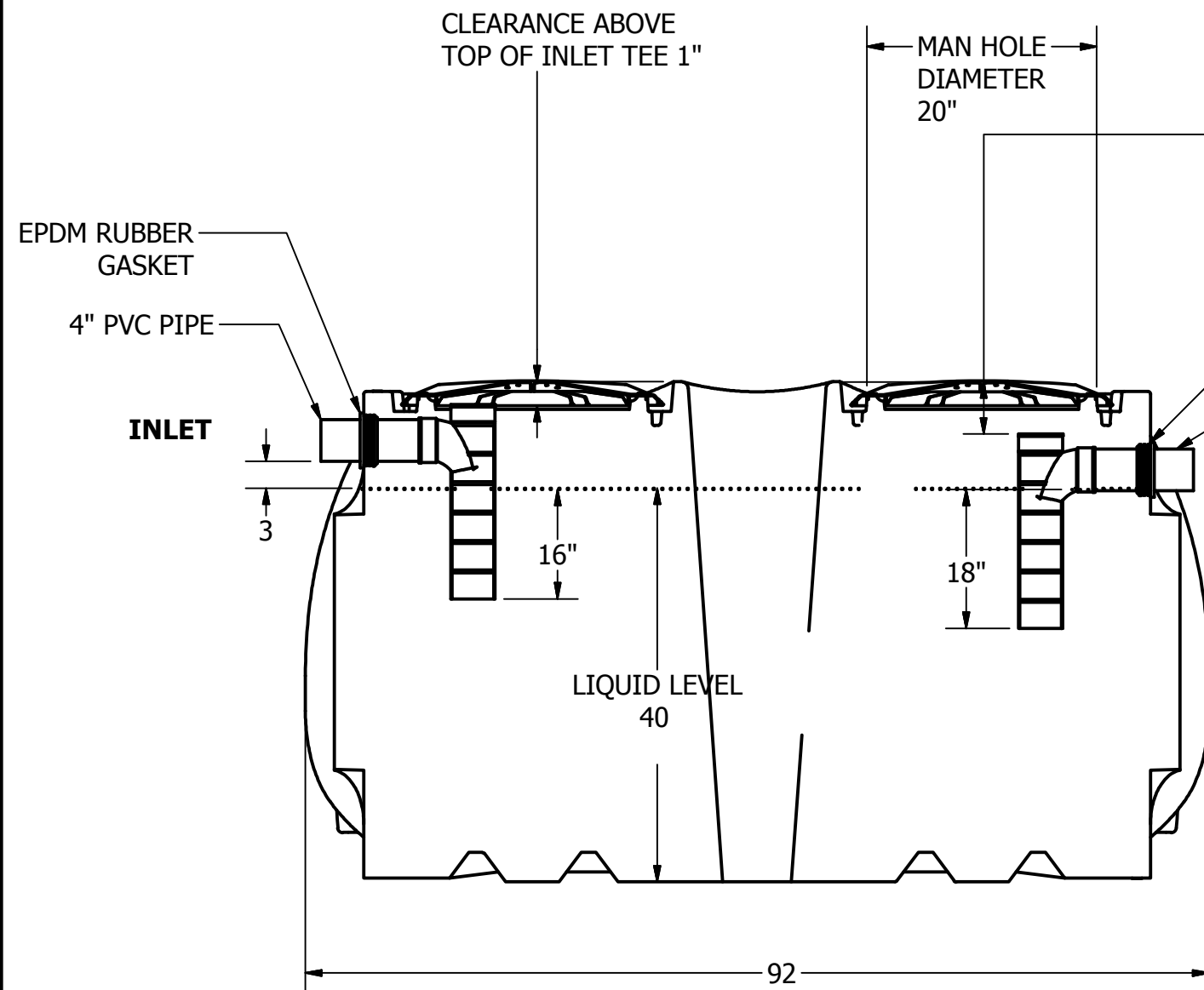
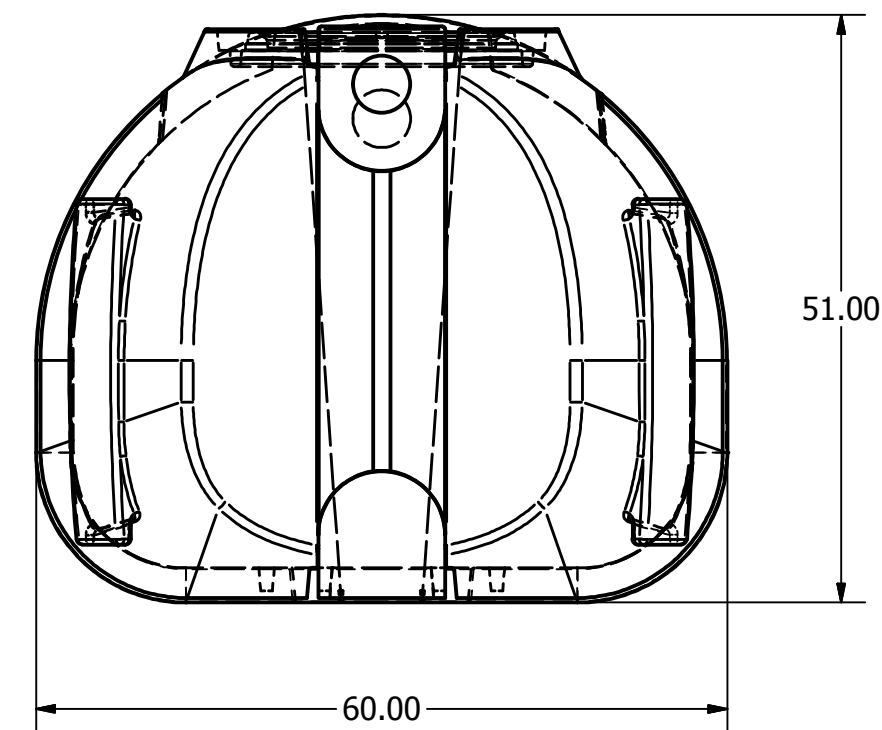



REVISION HISTORY				
ZONE	REV	DESCRIPTION	DATE	APPROVED



CLEARANCE ABOVE TOP OF INLET TEE 1"
 MAN HOLE DIAMETER 20"
 CLEARANCE ABOVE TOP OF OUTLET TEE 1"
 EPDM RUBBER GASKET
 4" PVC PIPE



CONSTRUCTION MATERIAL: **HDPE**
 MINIMUM TANK WALL THICKNESS: **.25"**
 LIQUID SURFACE AREA: **25.61 FT²**

DRAWN Todd Bolzer	12/28/2010	 NORWESCO NORWESCO, INC., ST. BONIFACIUS, MN TITLE 750 GALLON LOW PROFILE SINGLE COMPARTMENT SEPTIC TANK	
CHECKED			
QA			
MFG			
APPROVED			
		SIZE B	NORWESCO P/N: 43495 SNYDER IND. P/N: 1007100W95301
		SCALE: 1/16	REV
			SHEET 1 OF 1