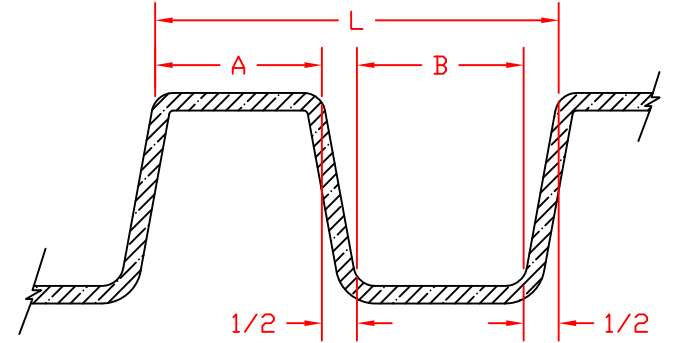
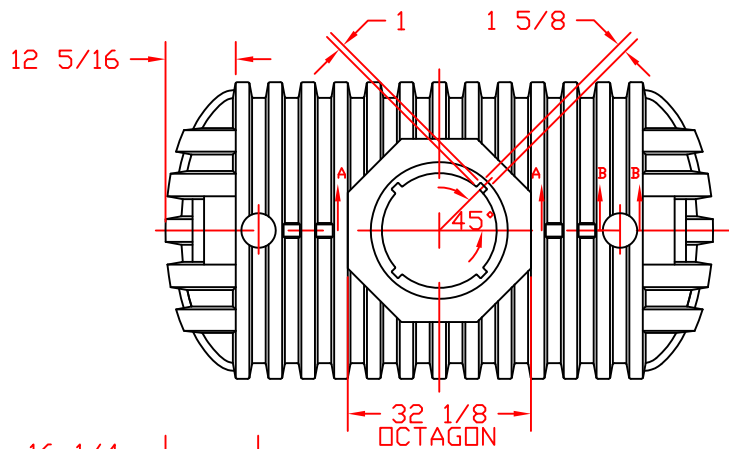
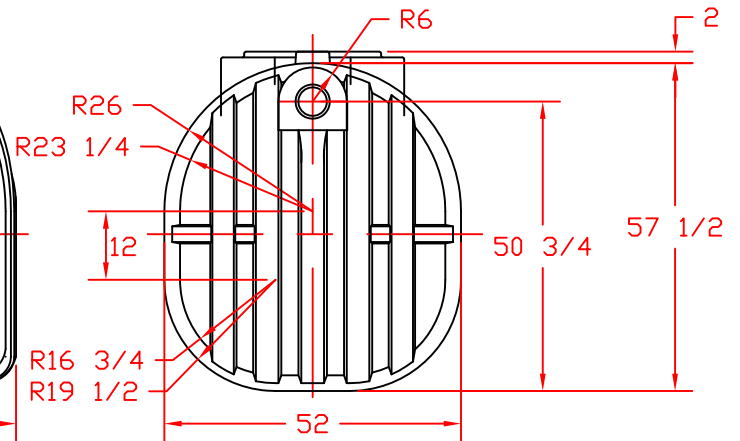
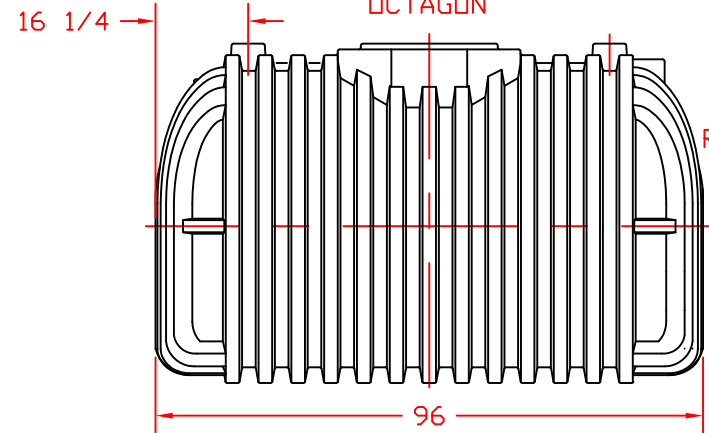


REVISIONS				
ZONE	REV	DESCRIPTION	DATE	APPROVED
	A	REDRAWN	18APR96	
	B	WAS 40018	10FEB03	



RIB DETAIL 1/2 SCALE

	A	B	L
SIDE RIBS	2-3/8	2-3/8	5-3/4
END RIBS	4	3	8



JTP 18APR96					REV B
		ST. BONIFACIUS, MN SEPTIC TANK, 750 GALLON, 1-MANHOLE			
SCALE 1/24		FSCM NO.	DWG NO.	SHEET 1 OF 2	