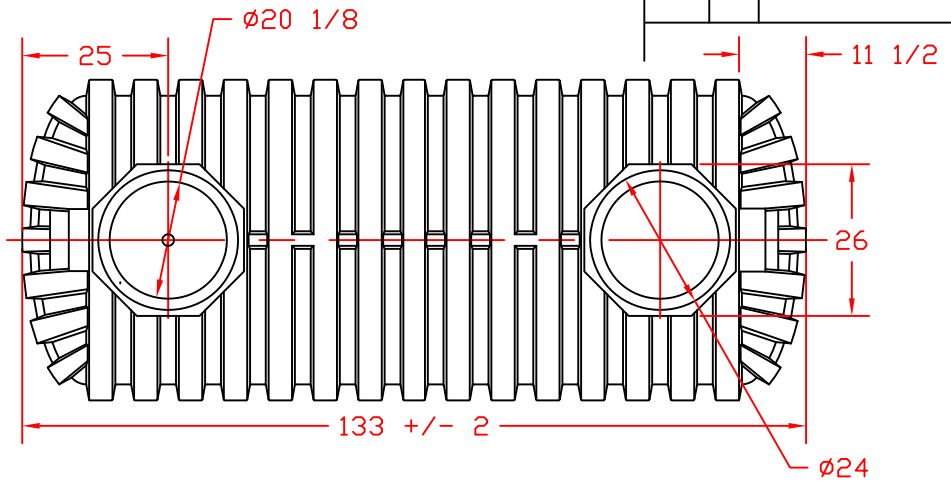
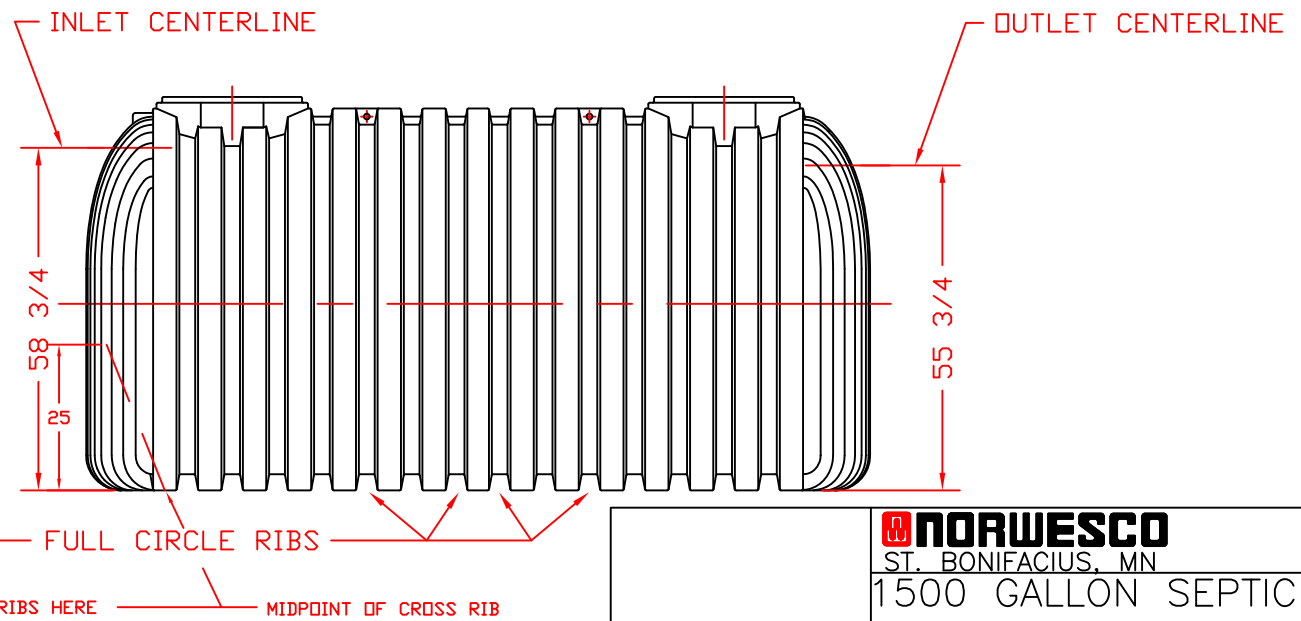
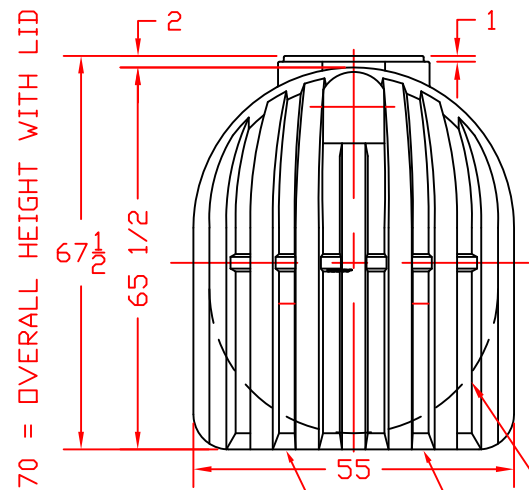


RIB DIMENSIONS
1/8 SCALE



REVISIONS				
ZONE	REV	DESCRIPTION	DATE	APPROVED



NORWESCO
ST. BONIFACIUS, MN
1500 GALLON SEPTIC TANK

JTP	18MAY00	SIZE B	FSCM NO.	DWG NO.	REV
SCALE 1/24			SHEET		