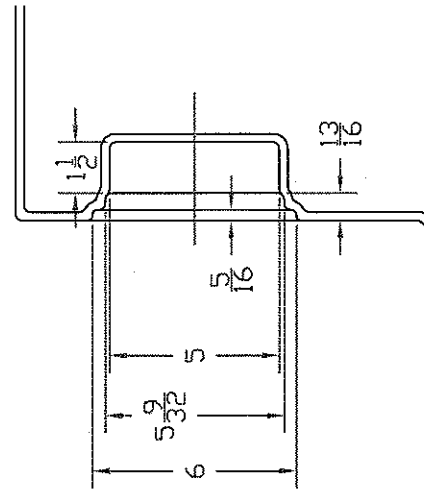
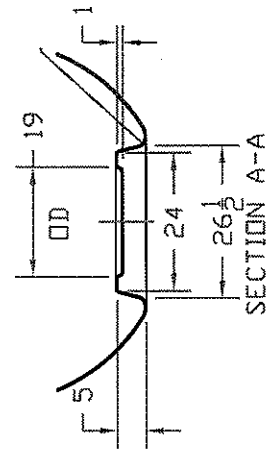
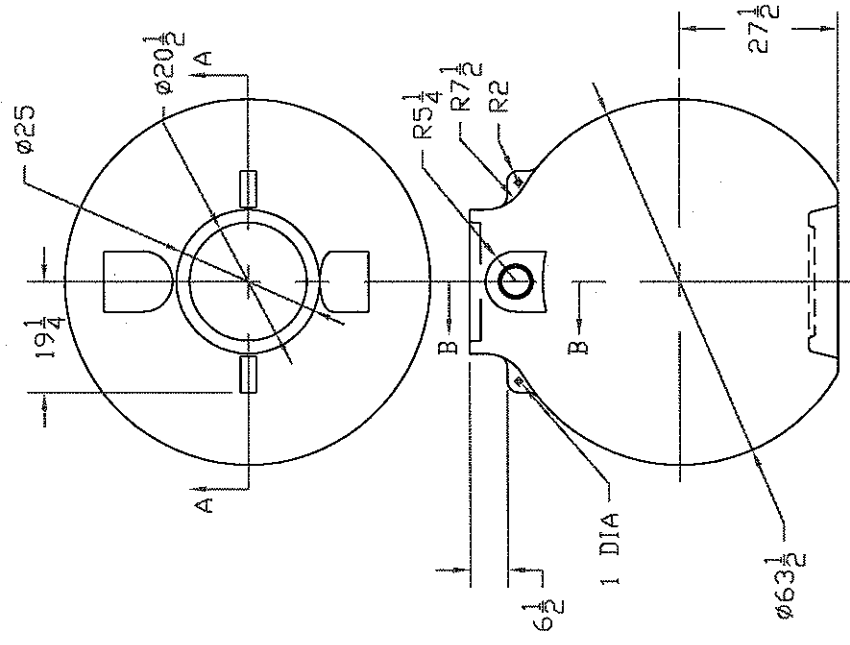
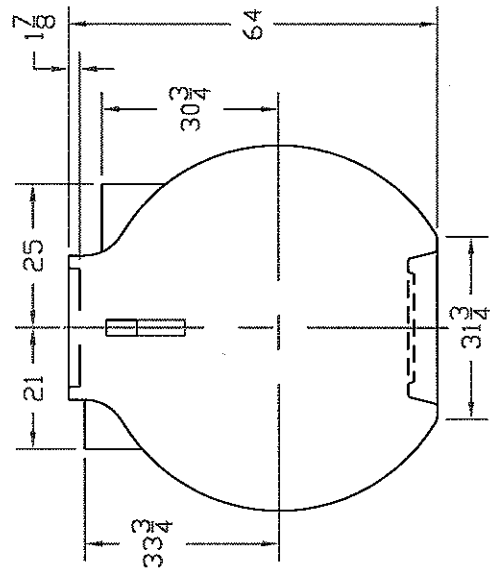


REVISIONS			DATE	APPROVED
ZONE	REV	DESCRIPTION		
	A	ADDED HUBBED INLET DELETED LID NOTCHES	14OCT02	



SECTION B-B
1/4 SCALE

NOTE: THIS GASKET RECESS
IS AT INLET ONLY.
OUTLET IS FLAT.



NORWESCO
ST. BONIFACIUS, MN

550 GALLON CISTERN

JTP	02SEP98	SIZE B	FSCM NO.	DWG NO. 40856	REV A
				SCALE 1/24	SHEET