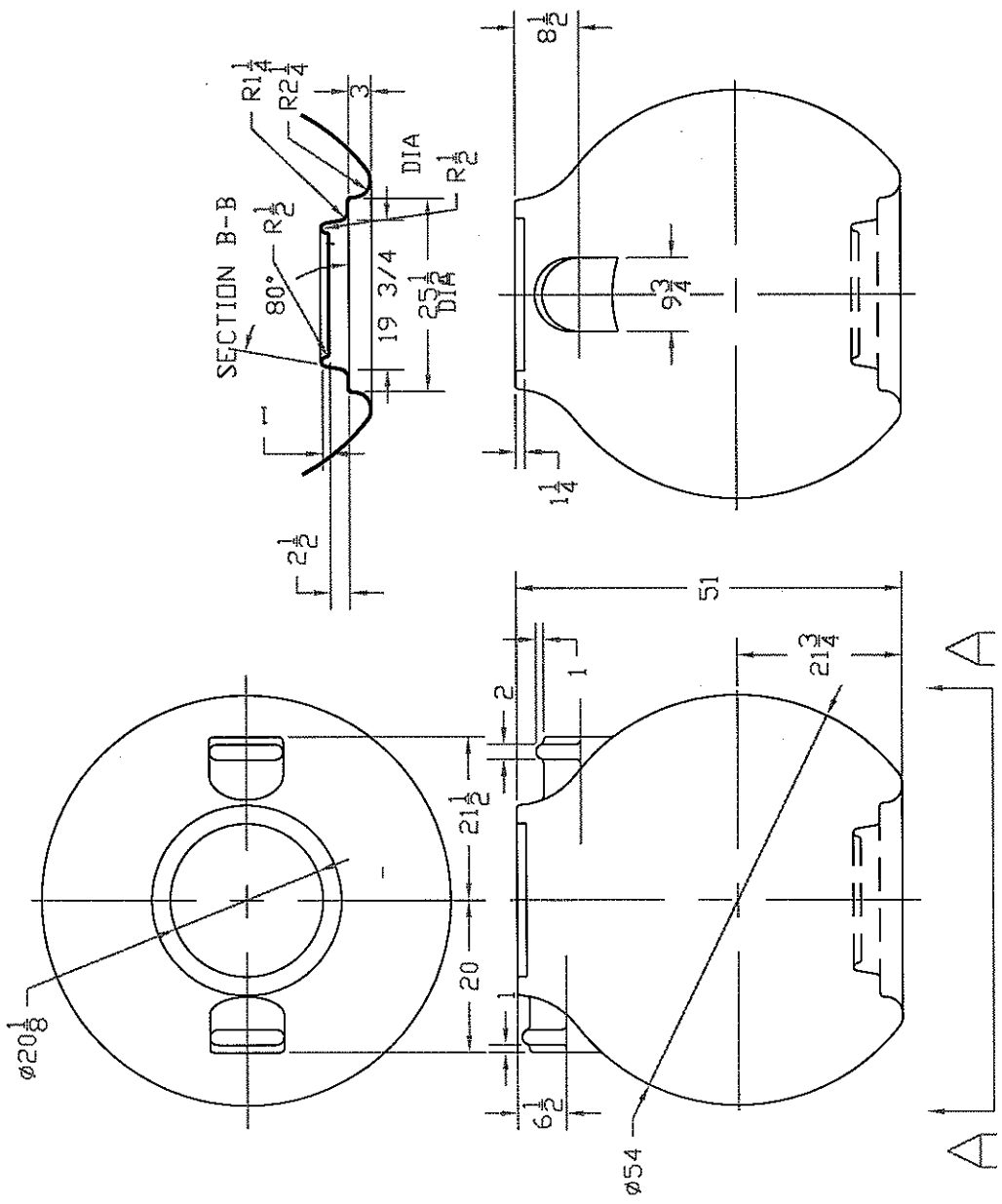


| REVISIONS | | DESCRIPTION | DATE | APPROVED |
|-----------|-----|-------------|------|----------|
| ZONE | REV | | | |
| | | | | |



| | | | | | |
|---|---------------|-----------|-------------------|------------------|----------|
| NORWESCO ST. BONIFACIUS, MN 325 GALLON CISTERN | | SIZE B | FSCM NO. 41321 | DWG NO. 41321 | REV 1 |
| JTP 2SEP98 | SCALE 1/16 | SHEET | | | |