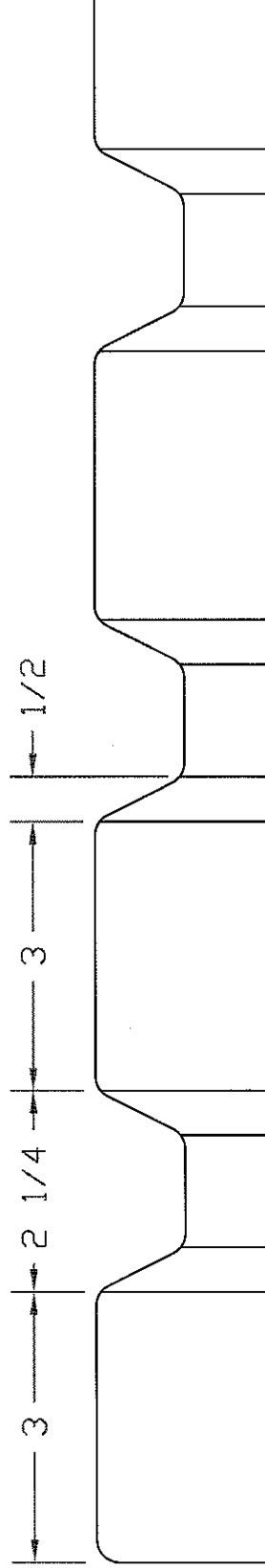
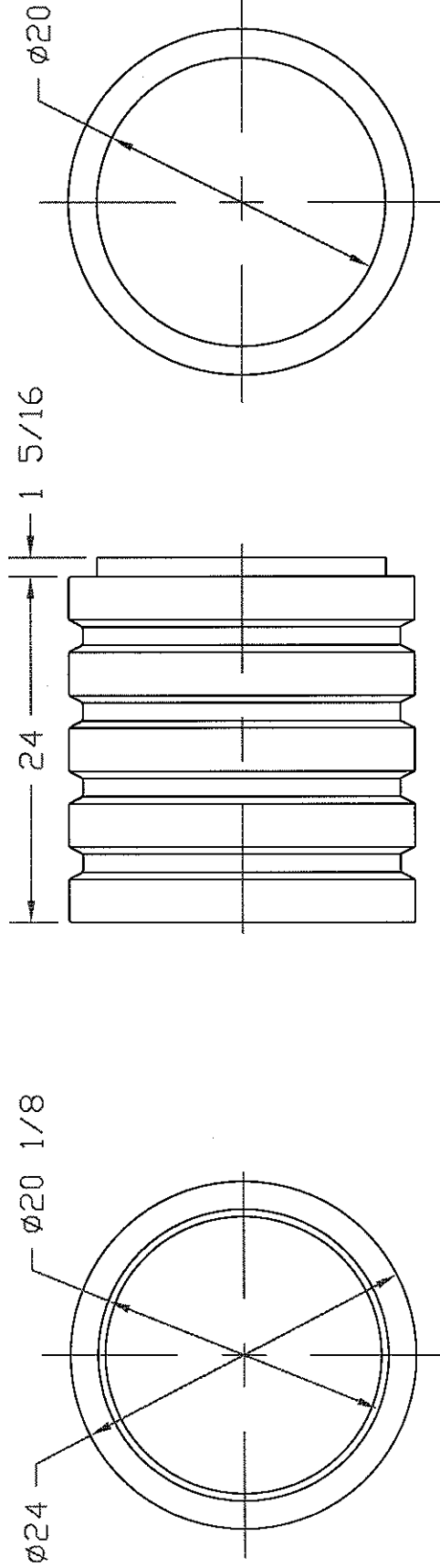


REVISIONS

ZONE	REV	DESCRIPTION	DATE	APPROVED



RIB DETAIL
1/2 SCALE

NORWESCO
ST. BONIFACIUS, MN

MANHOLE EXTENSION
24 X 20 W/O LUGS

JTP	31MAY01	SIZE	FSCM NO.	DWG NO.	REV
		A		62396	
SCALE 1/12				SHEET	