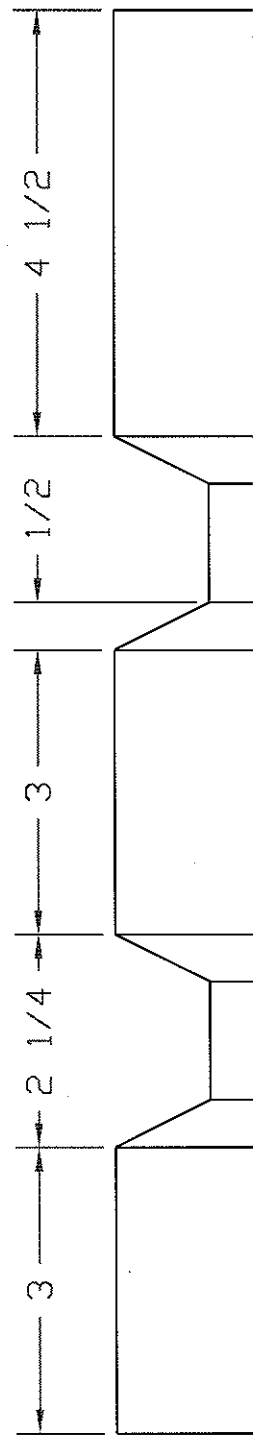
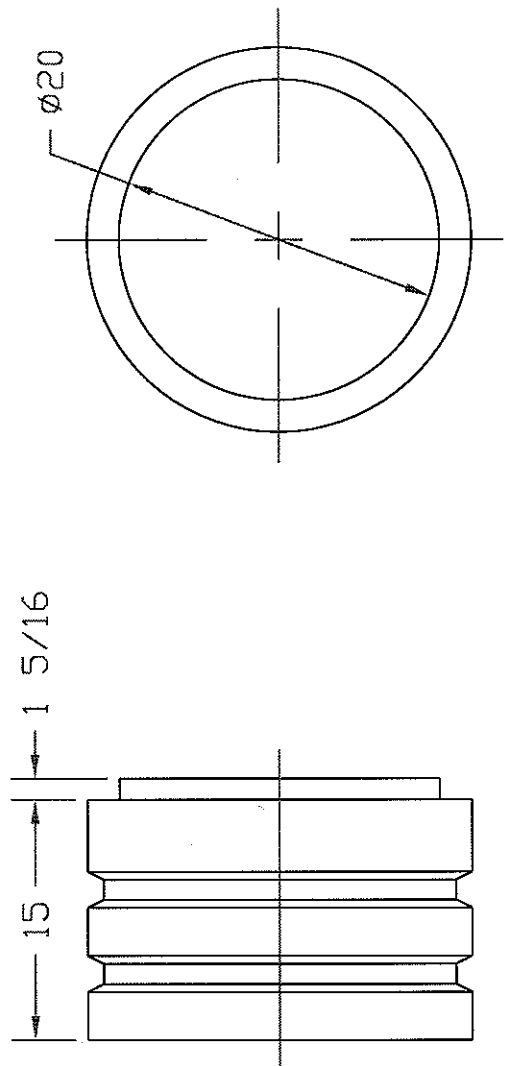
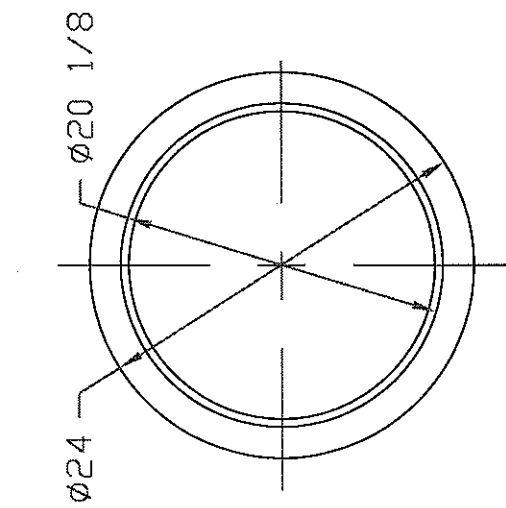


REVISIONS			
ZONE	REV	DESCRIPTION	DATE

--	--	--	--



RIB DIMENSIONS
1/2 SCALE

NORWESCO
ST. BONIFACIUS, MN

MANHOLE EXTENSION
15 X 20 W/O LUGS

JTP	31MAY01	SIZE	FSCM NO.	DWG NO.	REV
		A		62397	
SCALE 1/12				SHEET	