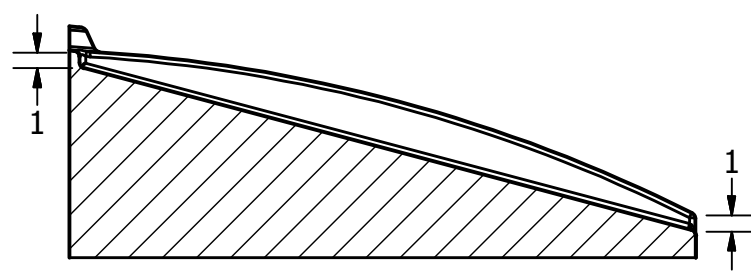
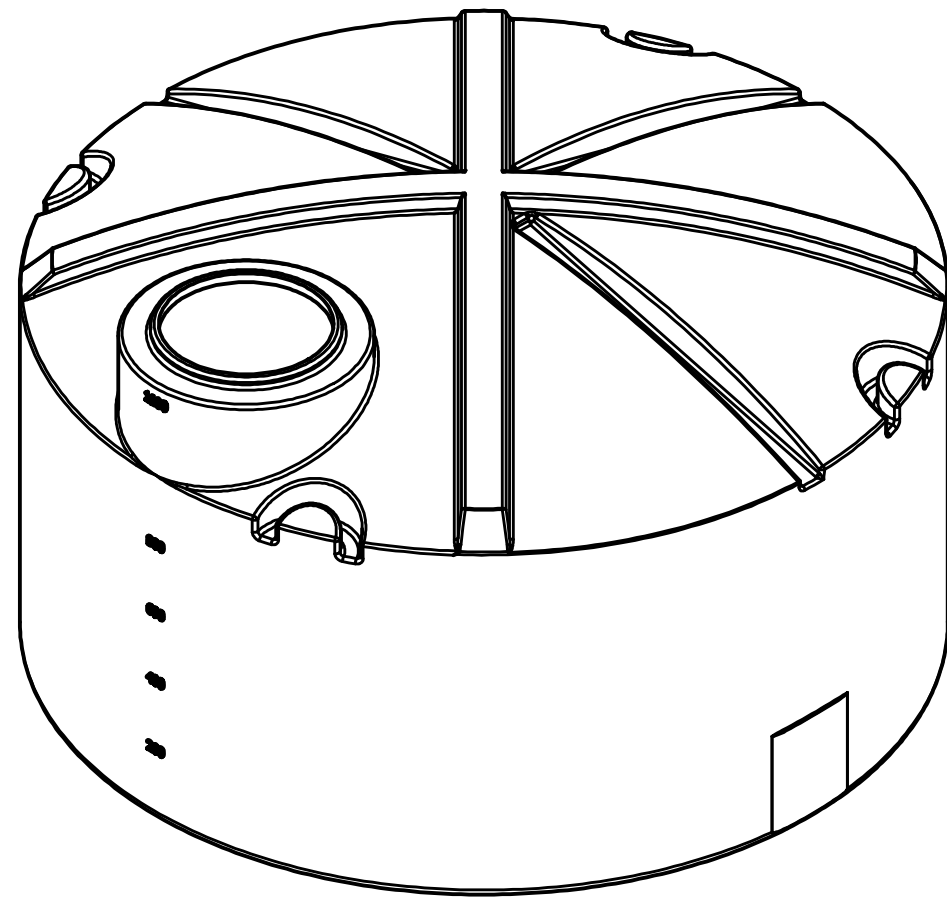
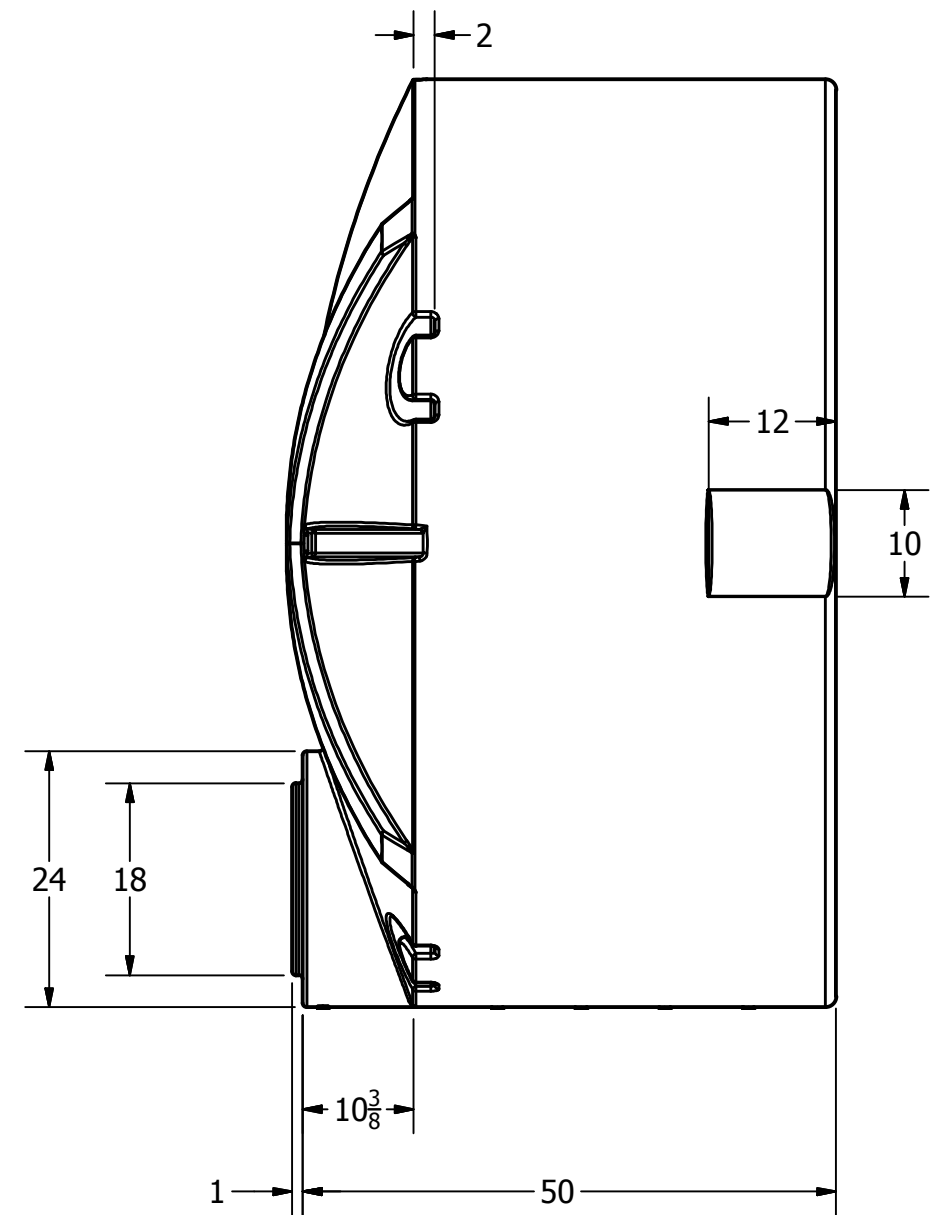



SECTION A-A  
SCALE 1:10



SECTION B-B  
SCALE 1:12



REVISION HISTORY			
REV	DESCRIPTION	DATE	AUTHOR
A	REDRAWN	7/8/2013	Michael Holden
DRAWN Jerry Paulson		5/5/2003	 NORWESCO, INC. SAINT BONIFACIUS, MN TITLE <b>1100 GALLON VERTICAL TANK W/ GUSSET DOME</b>
CHECKED			
QA			
MFG			
APPROVED			
SIZE <b>B</b>		DWG NO	REV A
SCALE: 1/16		SHEET 1 OF 1	