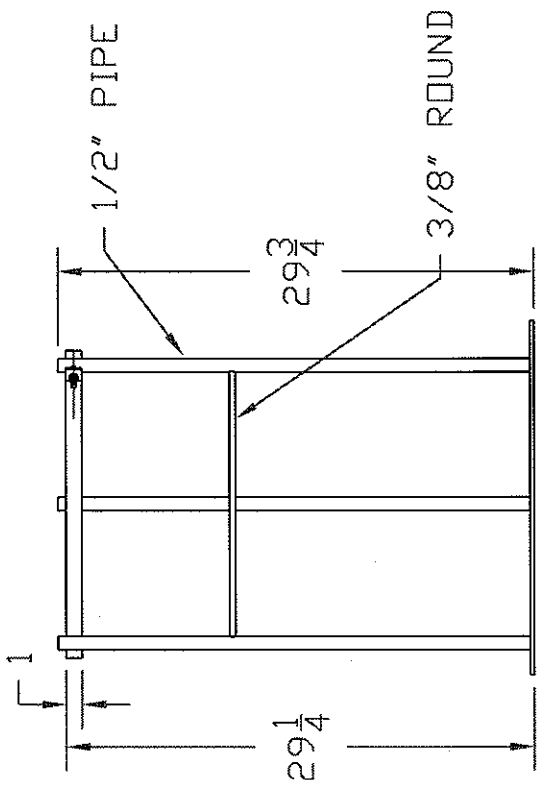
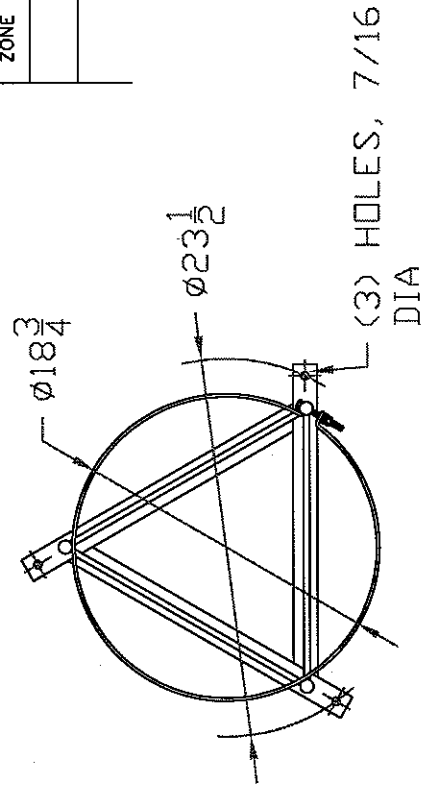


REVISIONS		
ZONE	REV	DESCRIPTION
	B	REVISED & REDRAWN
		DATE
		11 JUN 04
		APPROVED



**NORWESCO**  
 ST. BONIFACIUS, MN  
 15 GALLON INDUCTOR  
 STAND

JTP	11JUN04	SIZE	FSCM NO.	DWG NO.	REV
		A			B
SCALE 1/12				SHEET	

FINISH: BLACK ENAMEL