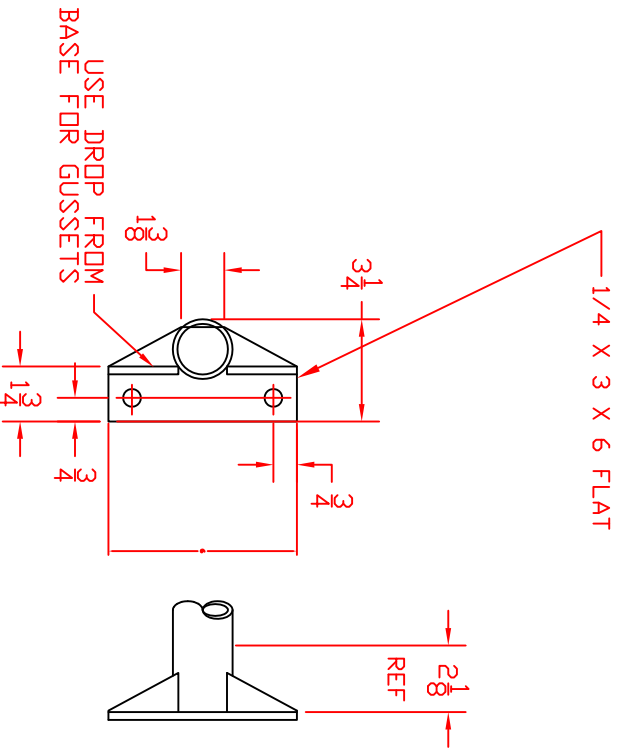
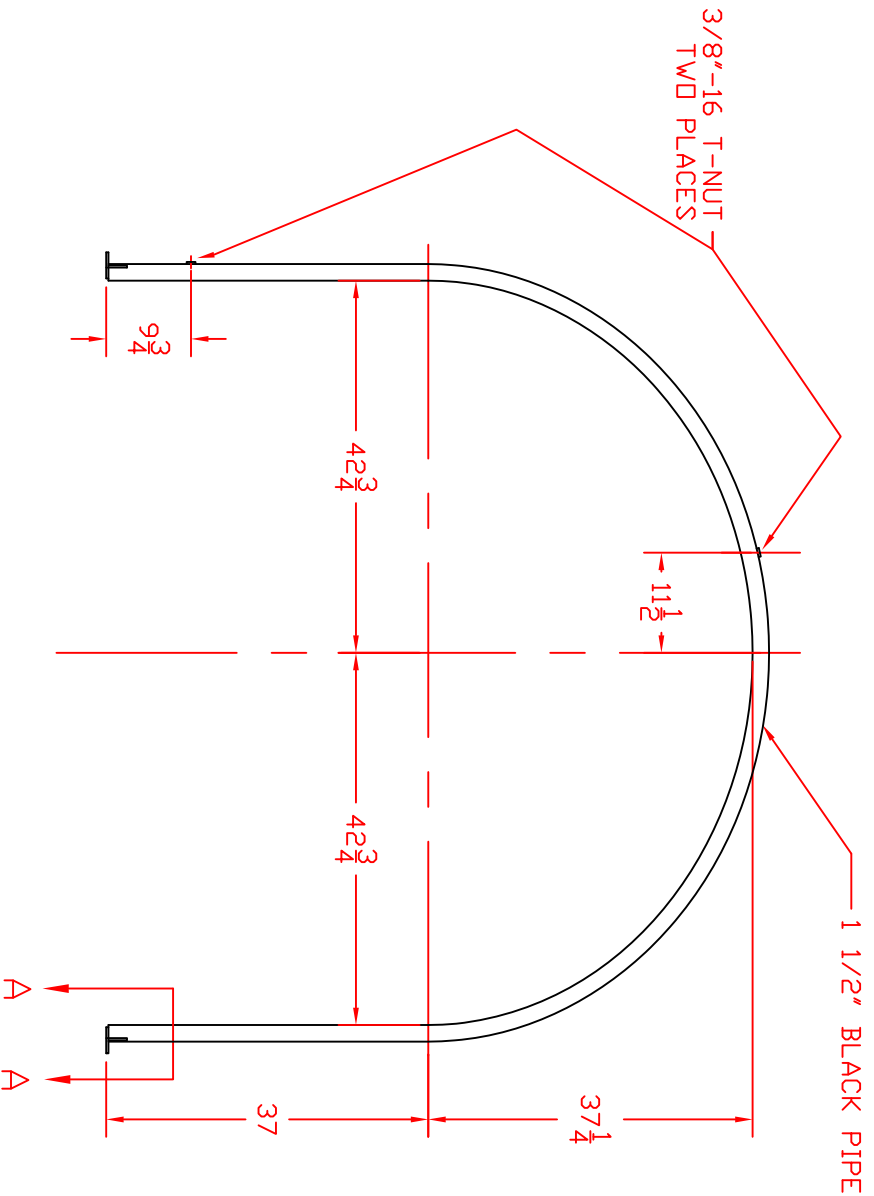


REVISIONS				
ZONE	REV	DESCRIPTION	DATE	APPROVED



VIEW A-A  
1/4 SCALE

		ST. BONIFACIUS, MN			
		BAND, 3135/3250 ELLIPTICAL TANK, WEST COAST			
JTP	13NOV07	SIZE	FORM NO.	DWG NO.	REV
B	SCALE 1/16			63620	
SHEET					