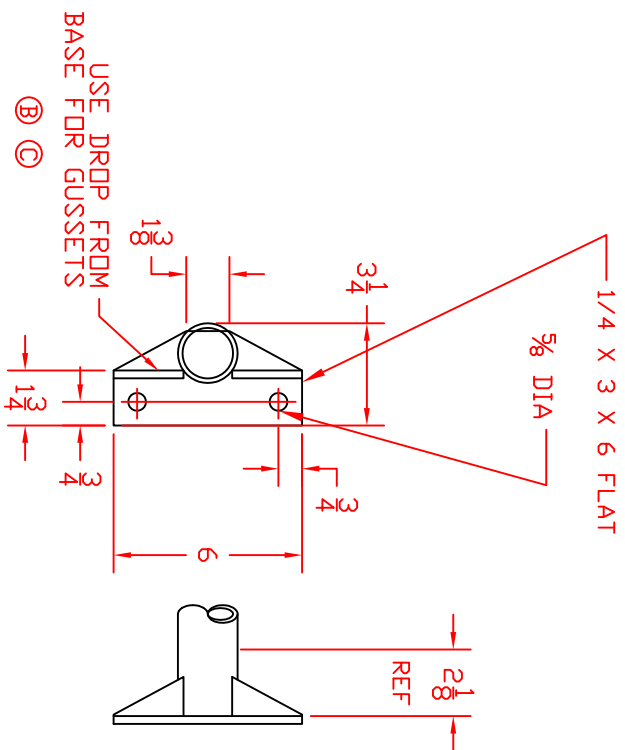


REVISIONS				
ZONE	REV	DESCRIPTION	DATE	APPROVED
	A	1-WAS 2", 2-ADDED	21JUL 97	
	B	GUSSETS ADDED	29JAN98	
	C	GUSSETS REVISED	19DCT98	



VIEW A-A
1/4 SCALE

 ST. BONIFACIUS, MN		BAND, 3135/3250 ELLIPTICAL TANK	
		SIZE	DMG NO.
JTP	13MAR96	B	62097
SCALE 1/16		SHEET	
		REV	C